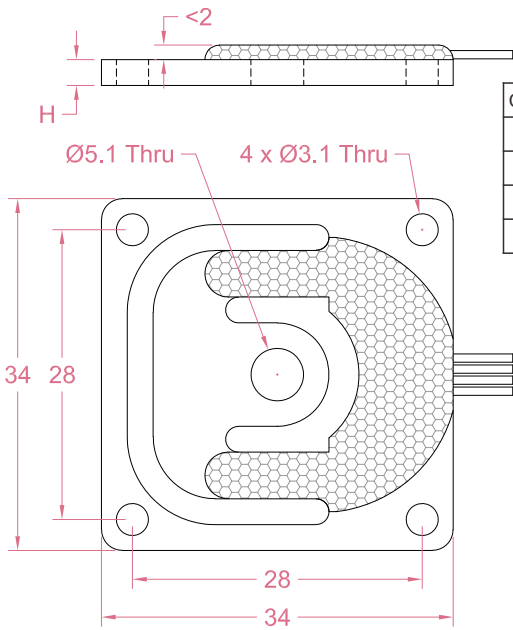
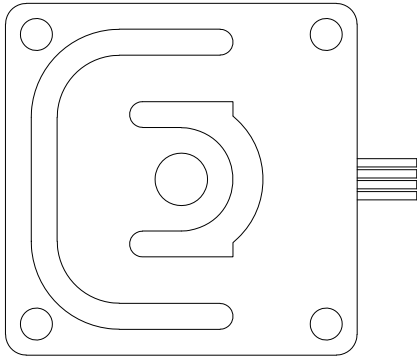




Dimensions in "mm"



Capacity	H	Rated output
10kg	1.5	1.1±0.2mV/V
30kg	2.0	1.9±0.2mV/V
50kg	2.5	1.7±0.2mV/V
100kg	3.0	2.3±0.2mV/V



Order example:

2 x LCA01 - 10kg

Quantity      Model      Capacity

Email to [sales@loadcellsensor.com](mailto:sales@loadcellsensor.com) for a quote

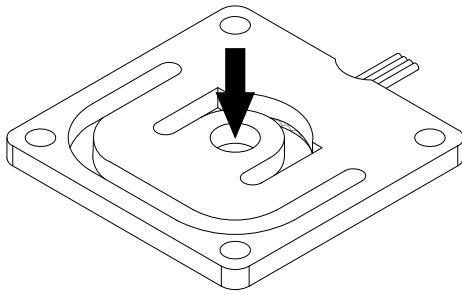
Specifications			
Rated Capacity	10/30/50/100 kg		
Rated Output	1.1~2.3 mV/V	Compensated Temp.	0...+40°C
Excitation	3~15V	Operating Temp.	-10...+55°C
Zero Balance	±0.3 mV/V	Temp. Coeff. of Zero	±0.03% F.S./°C
Nonlinearity	±0.1% F.S.	Temp. Coeff. of Span	±0.03% F.S./°C
Hysteresis	±0.1% F.S.	Input Resistance	1000±100 Ohms
Nonrepeatability	±0.05% F.S.	Output Resistance	1000±100 Ohms
Creep(3min)	±0.05% F.S.	Insulation Resistance	>2000M Ohms(50V)
Safe Load Limit	120% F.S.	IP Rating	IP62
Breaking Load	150% F.S.	Element Material	Alloy steel
Cable	4 x AWG32*200mm		

• LCS reserves the right to modify its design and specifications without notice

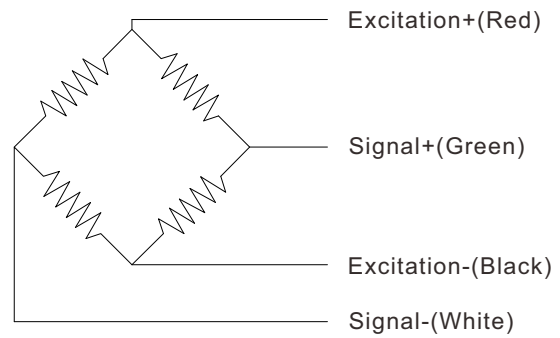




Load direction



Wiring Code



Sensor/Amplifier/Indicator

Items	Power supply	Output/Function
LCA01	3-15V (Constant)	0mV...+37.5mV (Depending on the power supply and capacity)
LCA01 + Analog amplifier	12~24V DC	0-3.3V,0-5V,0-10V, 0-20mA,4-20mA...
LCA01 + Digital amplifier	12~24V DC	RS485 or RS232 output
LCA01 + Indicator	12~24V DC	Display force value Switch/Relay output Peak holding RS485/RS232 interface 0-5V/0-10V/4-20mA output
<a href="#">Email us for datasheet of amplifier and indicator</a>		

