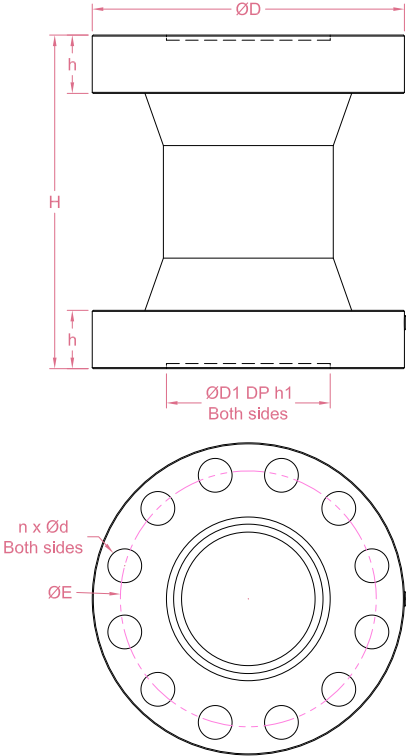




Dimensions in "mm"



Capacity	D	H	h	D1	h1	E	n	d
30t	145	130	22	85	5	120	12	16
50/60t	197	160	25	110	5	160	12	22
100t	240	230	42	135	5	200	12	26
150/200/250t	305	326	57	160	5	250	12	32.5
300t	415	358	69	256	5	360	18	33
400t	415	358	80	265	10	360	18	33
500t	415	398	69	256	10	360	18	33

Order example:

2 x LCF10 - 100t

Quantity Model Capacity

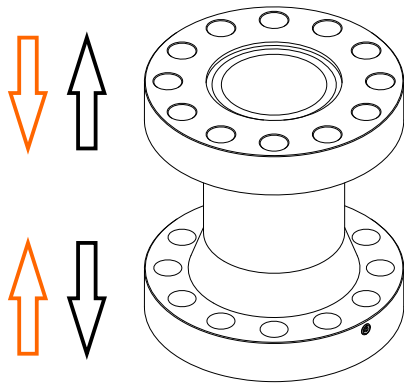
Email to sales@loadcellsensor.com for a quote

Specifications			
Rated Capacity	30/50/60/100/150/200/250/300/400/500 ton		
Rated Output	2.0 mV/V	Compensated Temp.	0...+40°C
Excitation	3~15V	Operating Temp.	-20...+60°C
Zero Balance	±0.05 mV/V	Temp. Coeff. of Zero	±0.02% F.S./°C
Nonlinearity	±0.5% F.S.	Temp. Coeff. of Span	±0.02% F.S./°C
Hysteresis	±0.5% F.S.	Input Resistance	750±100 Ohms
Nonrepeatability	±0.2% F.S.	Output Resistance	750±100 Ohms
Creep(5min)	±0.1% F.S.	Insulation Resistance	>2000M Ohms(50V)
Safe Load Limit	150% F.S.	IP Rating	IP65
Breaking Load	180% F.S.	Element Material	Alloy steel
Cable	Ø5*5000mm 4-conductor shielded cable		

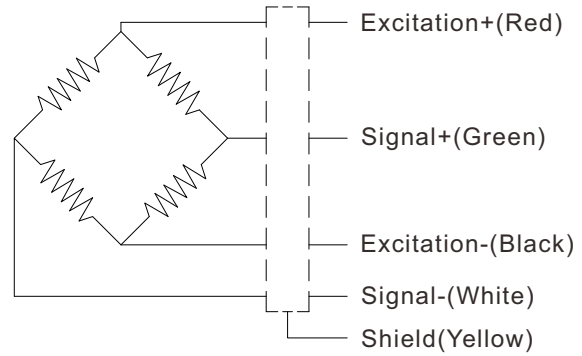
• LCS reserves the right to modify its design and specifications without notice



Load direction



Wiring Code



Shield is NOT connected to the sensor body

Sensor/Amplifier/Indicator

Items	Power supply	Output/Function
LCF10	3-15V (Constant)	-30mV...+30mV (Depending on the power supply)
LCF10 + Analog amplifier	12~24V DC	0-3.3V,0-5V,0-10V, -5-5V,-10-10V,0-5-10V 0-20mA,4-20mA,4-12-20mA...
LCF10 + Digital amplifier	12~24V DC	RS485 or RS232 output
LCF10 + Indicator	12~24V DC	Display force value Switch/Relay output Peak holding RS485/RS232 interface 0-5V/0-10V/4-20mA output

[Email us for datasheet of amplifier and indicator](#)

Customization options

Cable (Length/Specifications/Connectors)
Dimensions and measuring range
Working Temperature (-30°C...+120°C)