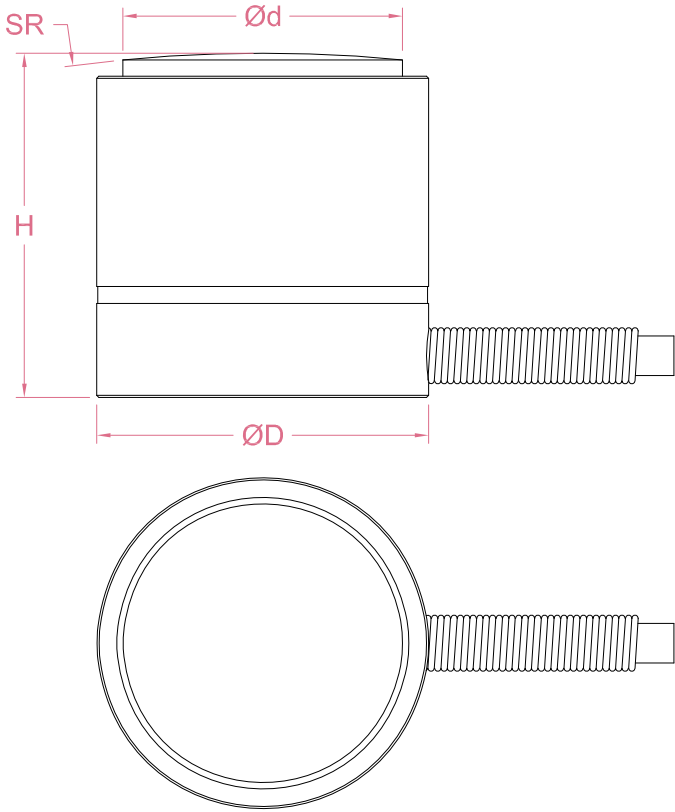




Dimensions in "mm"



Capacity	H	D	d	SR
10/20kN	16.5	15.9	13.4	100
50/75kN	22.4	22.4	20.4	100
100/150kN	28.7	31.8	28.9	125

Order example:

2 x LCC01 - 50kN

Quantity Model Capacity
 Email to sales@loadcellsensor.com for a quote

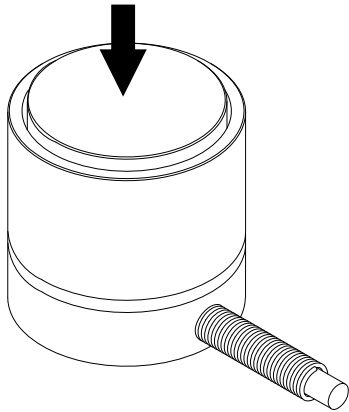
Specifications			
Rated Capacity	10/20/50/75/100/150 kN		
Rated Output	2.0 mV/V	Compensated Temp.	0...+40°C
Excitation	3~12V	Operating Temp.	-20...+60°C
Zero Balance	±0.1 mV/V	Temp. Coeff. of Zero	±0.05% F.S./°C
Nonlinearity	±0.5% F.S.	Temp. Coeff. of Span	±0.05% F.S./°C
Hysteresis	±0.5% F.S.	Input Resistance	385±30 Ohms
Nonrepeatability	±0.3% F.S.	Output Resistance	350±5 Ohms
Creep(5min)	±0.1% F.S.	Insulation Resistance	>2000M Ohms(50V)
Safe Load Limit	150% F.S.	IP Rating	IP62
Breaking Load	180% F.S.	Element Material	Stainless steel
Cable	Ø2*3000mm 4-conductor shielded cable		

• LCS reserves the right to modify its design and specifications without notice

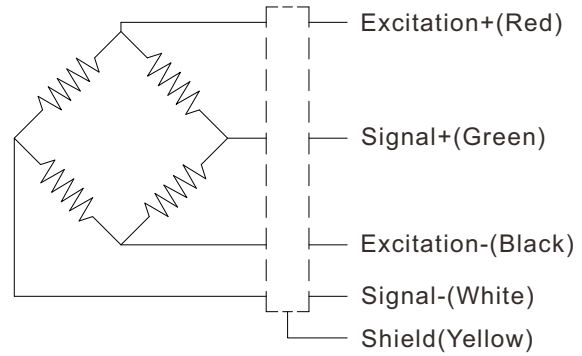




Load direction



Wiring Code



Shield is NOT connected to the sensor body

Sensor/Amplifier/Indicator

Items	Power supply	Output/Function
LCC01	3-12V (Constant)	0mV...+24mV (Depending on the power supply)
LCC01 + Analog amplifier	12~24V DC	0-3.3V,0-5V,0-10V, 0-20mA,4-20mA...
LCC01 + Digital amplifier	12~24V DC	RS485 or RS232 output
LCC01 + Indicator	12~24V DC	Display force value Switch/Relay output Peak holding RS485/RS232 interface 0-5V/0-10V/4-20mA output

[Email us for datasheet of amplifier and indicator](#)

Customization options

Cable (Length/Specifications/Connectors)
Dimensions and measuring range
Working Temperature (-20°C...+130°C)

