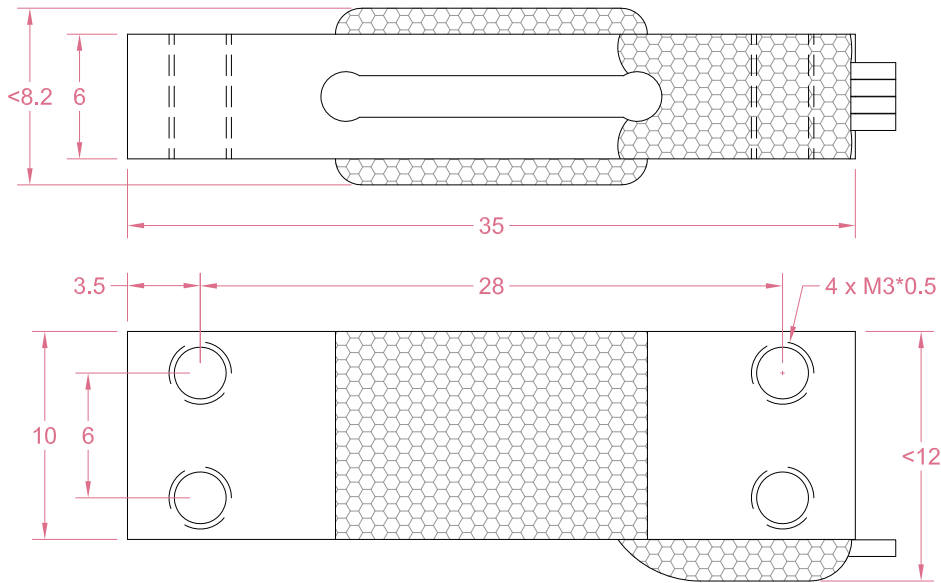




Dimensions in "mm"



Order example:

2 x LCE04 - 2kg

Quantity Model Capacity

Email to sales@loadcellsensor.com for a quote

| Specifications | | | |
|------------------|-----------------|-----------------------|------------------|
| Rated Capacity | 1/2/5/10kg | | |
| Rated Output | 1.0 mV/V | Compensated Temp. | 0...+40°C |
| Excitation | 3~12V | Operating Temp. | -10...+55°C |
| Zero Balance | ±0.1 mV/V | Temp. Coeff. of Zero | ±0.03% F.S./°C |
| Nonlinearity | ±0.05% F.S. | Temp. Coeff. of Span | ±0.02% F.S./°C |
| Hysteresis | ±0.05% F.S. | Input Resistance | 1000±100 Ohms |
| Nonrepeatability | ±0.05% F.S. | Output Resistance | 1000±100 Ohms |
| Creep(3min) | ±0.05% F.S. | Insulation Resistance | >2000M Ohms(50V) |
| Safe Load Limit | 150% F.S. | IP Rating | IP62 |
| Breaking Load | 180% F.S. | Element Material | Aluminum alloy |
| Cable | 4 x AWG32*170mm | | |

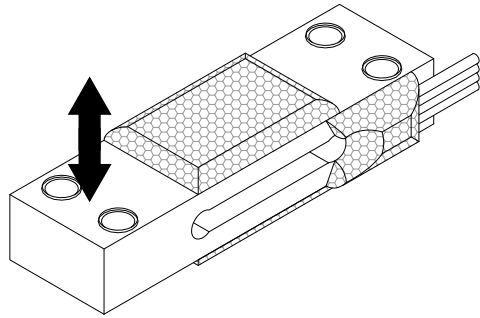
• LCS reserves the right to modify its design and specifications without notice

P:1/2

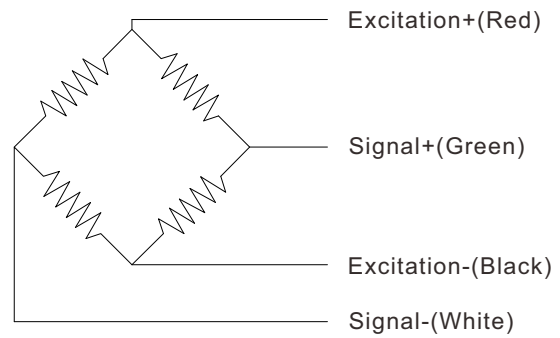




Load direction



Wiring Code



Sensor/Amplifier/Indicator

| Items | Power supply | Output/Function |
|---|---------------------|---|
| LCE04 | 3-12V (Constant) | -12mV...+12mV (Depending on the power supply) |
| LCE04 + Analog amplifier | 12~24V DC | 0-3.3V,0-5V,0-10V, -5-5V,-10-10V,0-5-10V 0-20mA,4-20mA,4-12-20mA... |
| LCE04 + Digital amplifier | 12~24V DC | RS485 or RS232 output |
| LCE04 + Indicator | 12~24V DC | Display force value Switch/Relay output Peak holding RS485/RS232 interface 0-5V/0-10V/4-20mA output |
| Email us for datasheet of amplifier and indicator | | |

