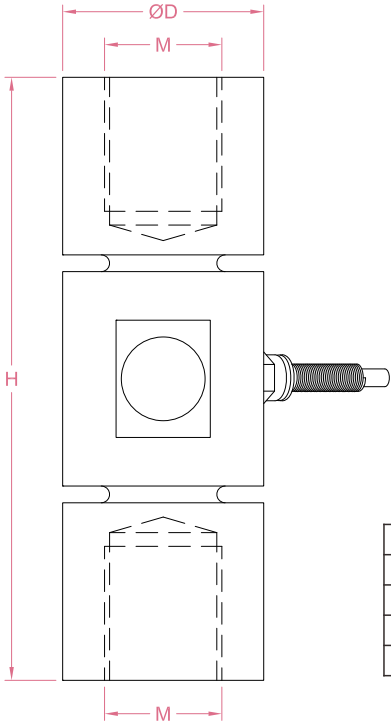
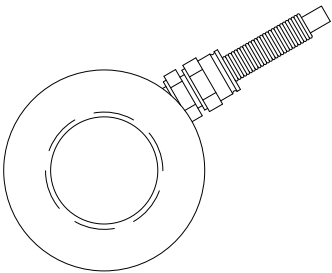




Dimensions in "mm"



Capacity	D	H	M
200kN	60	180	M36*4 DP 38
300kN	76	213	M45*4.5 DP 42
500kN	94	332	M64*3 DP 68
1000kN	112	367	M76*3 DP 78



Order example:

2 x LCR20 - 500kN

Quantity Model Capacity

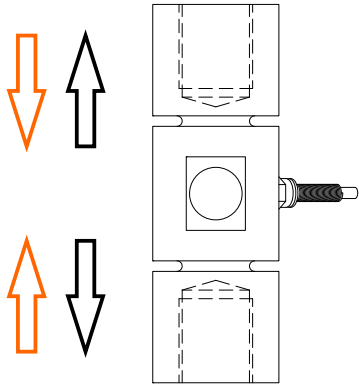
Email to sales@loadcellsensor.com for a quote

Specifications			
Rated Capacity	200/300/500/1000 kN		
Rated Output	1.5 mV/V	Compensated Temp.	0...+40°C
Excitation	3~15V	Operating Temp.	-20...+60°C
Zero Balance	±0.05 mV/V	Temp. Coeff. of Zero	±0.02% F.S./°C
Nonlinearity	±0.25% F.S.	Temp. Coeff. of Span	±0.02% F.S./°C
Hysteresis	±0.25% F.S.	Input Resistance	380±30 Ohms
Nonrepeatability	±0.1% F.S.	Output Resistance	350±10 Ohms
Creep(5min)	±0.1% F.S.	Insulation Resistance	>2000M Ohms(50V)
Safe Load Limit	120% F.S.	IP Rating	IP65
Breaking Load	150% F.S.	Element Material	Alloy steel
Cable	Ø5*3000mm 4-conductor shielded cable		

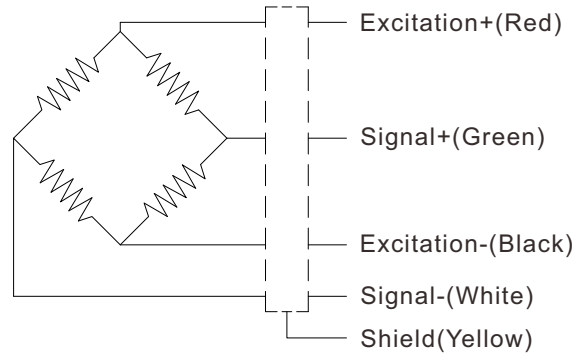
• LCS reserves the right to modify its design and specifications without notice



Load direction



Wiring Code@Compression



Shield is NOT connected to the sensor body

Sensor/Amplifier/Indicator

Items	Power supply	Output/Function
LCR20	3-15V (Constant)	-22.5mV...+22.5mV (Depending on the power supply)
LCR20 + Analog amplifier	12~24V DC	0-3.3V,0-5V,0-10V,0-2.5-5V,0-5-10V -3.3-3.3V,-5-5V,-10-10V 0-20mA,4-20mA,4-12-20mA...
LCR20 + Digital amplifier	12~24V DC	RS485 or RS232 output
LCR20 + Indicator	12~24V DC	Display force value Switch/Relay output Peak holding RS485/RS232 interface 0-5V/0-10V/4-20mA output

[Email us for datasheet of amplifier and indicator](#)

Customization options

Cable (Length/Specifications/Connectors)
Dimensions and measuring range