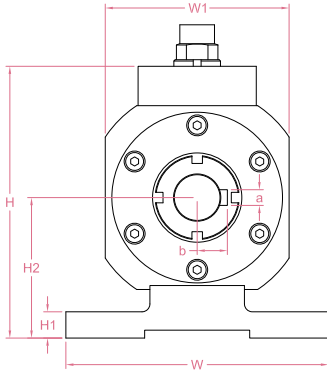
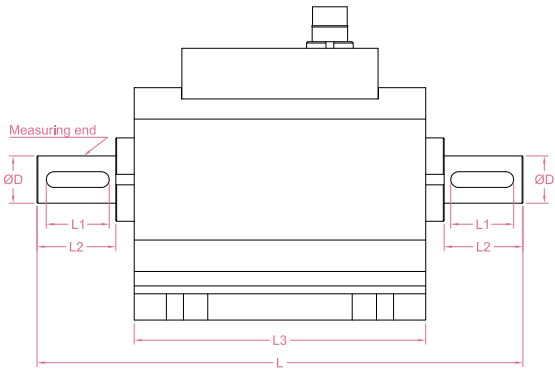
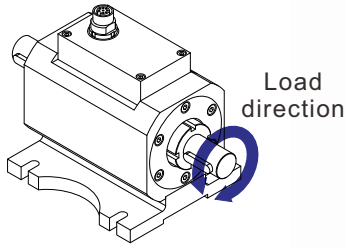
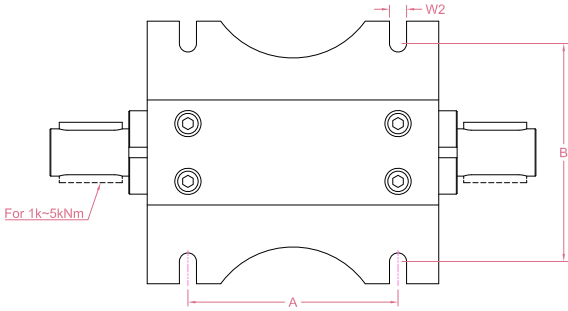




Dimensions in "mm"



Torque capacity	Speed range	L	H	W	L1	L2	L3	D	H1	H2	W1	W2	A	B	b*a* No. of keyway
5/10/20/30/50/100 Nm	0~12000RPM	175	103.5	100	22	30	111	18	10	53.5	70	6.5	80	83	11.5*6*2
200/300/500 Nm	0~10000RPM	198	118.5	114	30	35	114	28	10	61	85	6.5	84	97	17*8*2
1k/1.5k/2k Nm	0-6000RPM	288	161.5	175	60	70	134	45	18	89	125	9	94	142	26*14*4
3k/5k Nm	0-4000RPM	355	200.5	220	93	100	141	75	20	110.5	160	11	100	181	42*20*4

Specifications	
Torque Capacity	5Nm~5kNm (Selectable)
Power supply	12 or 24V DC
Rated Output	Refer to ordering part No.
Sampling Rate	200Hz
Nonlinearity	±0.2% F.S.
Hysteresis	±0.2% F.S.
Nonrepeatability	±0.2% F.S.
Creep(5min)	±0.1% F.S.
Safe Torque Limit	150% F.S.
Breaking Torque	180% F.S.
Operating Temp.	-10...+60°C
IP Rating	IP40
Element Material	Stainless steel
Housing Material	Aluminum alloy
Cable	Ø6*5000mm with mating connector

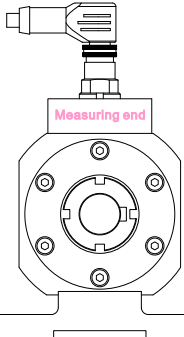
• LCS reserves the right to modify its design and specifications without notice



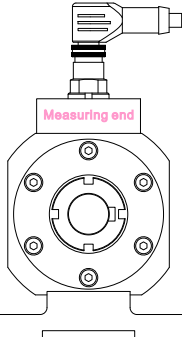


Cable Options

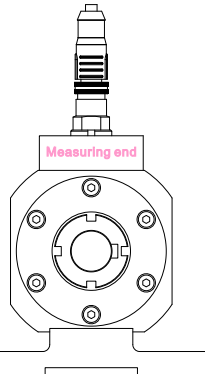
Cable part No.:
RTS03-5M-L



Cable part No.:
RTS03-5M-R

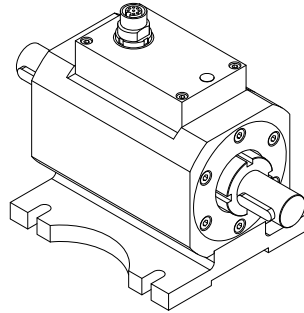


Cable part No.:
RTS03-5M

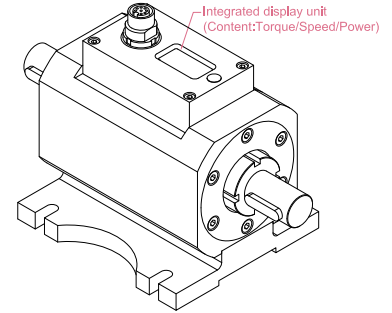


Display Options

Model: **RTS03**
(Without display)



Model: **RTS03A**
(With display)



Ordering part No.

Torque Measurement Only				
Ordering part No.: Model - Torque capacity - Code				
Model	Torque cap. (Nm)	Code	Power supply	Torque output
RTS03 RTS03A	5 10 20 30 50 100 200 300 500	A	24V DC	-3.3-3.3V
		B		0-1.65-3.3V
		C		-5-5V
		D		0-2.5-5V
		E		-10-10V
		F		0-5V-10V
	1k 1.5k 2k 3k 5k	H	12V DC	-3.3-3.3V
		I		0-1.65-3.3V
		J		-5-5V
		K		0-2.5-5V
		L		4-12-20mA

Example: **RTS03-100-C** means:
Model: RTS03(Without display unit)
Power supply: 24V DC
Torque channel: -100Nm~100Nm VS -5-5V

Torque And Speed Measurement							
Ordering part No.: Model - Torque capacity - Speed capacity - Code							
Model	Torque cap. (Nm)	Speed cap. (RPM)	Code	Power supply	Torque output	Speed output	
RTS03 RTS03A	5 10 20 30 50 100 200 300 500	0~100Nm: 0~12000 200~500Nm: 0~10000	A	24V DC	-3.3-3.3V	0-3.3V	
			B		0-1.65-3.3V		
			C		-5-5V	0-5V	
			D		0-2.5-5V		
			E		-10-10V	0-10V	
			F		0-5V-10V		
	1k 1.5k 2k 3k 5k	1k~2kNm: 0~6000 3k/5k Nm: 0~4000		H	12V DC	-3.3-3.3V	0-3.3V
				I		0-1.65-3.3V	
				J		-5-5V	0-5V
				K		0-2.5-5V	
				L		4-12-20mA	4-20mA

Example: **RTS03A-100-8000-C** means:
Model: RTS03A(With integrated display unit)
Power supply: 24V DC
Torque channel: -100Nm~100Nm VS -5-5V
Speed channel: 0~8000RPM VS 0-5V

Wiring code	
Red	Power+
Black	Power-
Green	Torque output+
White	Torque output-
Yellow	Shield

Wiring code	
Red	Power+
Black	Power-
Green	Torque output+
Yellow	Speed output+
White	Output-
Bold Yellow	Shield

Order example:

Sensor: 1 x **RTS03A-50-6000-E**

Cable: 1 x **RTS03-5M-L**

Email to sales@loadcellsensor.com for a quote

