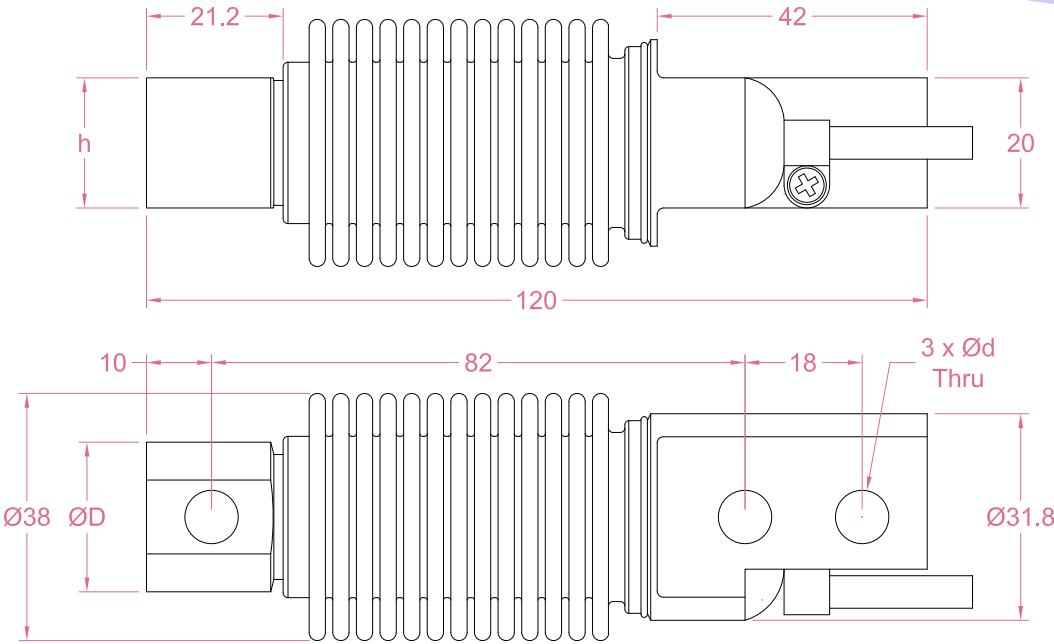




Dimensions in "mm"

119usd/pc



Order example:

2 x LCG01 - 100kg

Quantity    Model    Capacity

Email to [sales@loadcellsensor.com](mailto:sales@loadcellsensor.com) for a quote

Capacity	D	d	h
5~200kg	23	8.2	20
250~500kg	24	10.3	19

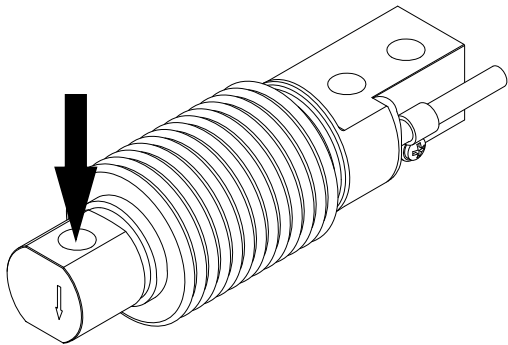
Specifications			
Rated Capacity	5/10/20/30/50/100/200/250/300/500 kg		
Rated Output	2.0±0.02 mV/V	Compensated Temp.	-10...+40°C
Excitation	3~15V	Operating Temp.	-35...+65°C
Zero Balance	±0.03 mV/V	Temp. Coeff. of Zero	±0.002% F.S./°C
Nonlinearity	±0.02% F.S.	Temp. Coeff. of Span	±0.002% F.S./°C
Hysteresis	±0.02% F.S.	Input Resistance	460±50 Ohms
Nonrepeatability	±0.02% F.S.	Output Resistance	352±5 Ohms
Creep(30min)	±0.02% F.S.	Insulation Resistance	>2000M Ohms(50V)
Safe Load Limit	150% F.S.	IP Rating	IP68
Breaking Load	250% F.S.	Element Material	Stainless steel
Cable	Ø5*3000mm 4-wire shielded cable (Contact us for 6-wire version)		

• LCS reserves the right to modify its design and specifications without notice

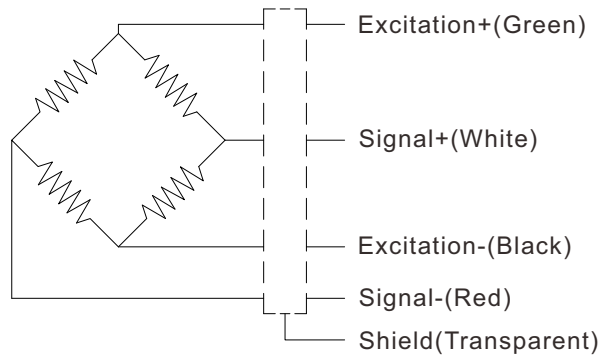




Load direction



Wiring Code



Shield is NOT connected to the sensor body

