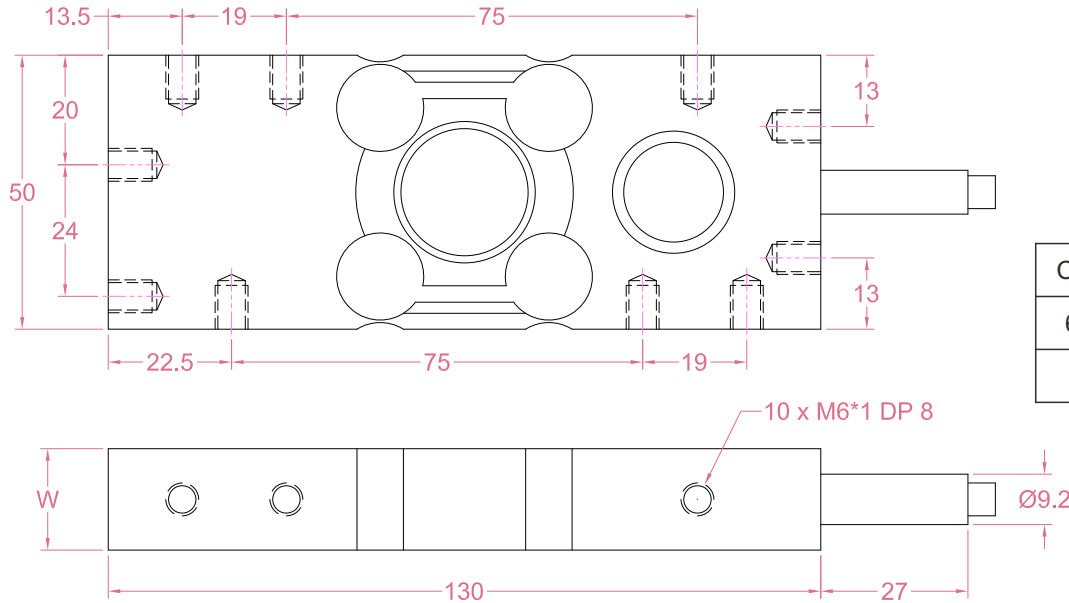




Dimensions in "mm"



Capacity	W	Price
6~30kg	18.5	159usd/pc
60kg	23.5	169usd/pc

Order example:

2 x LCE23 - 30kg

Quantity    Model    Capacity

Email to [sales@loadcellsensor.com](mailto:sales@loadcellsensor.com) for a quote



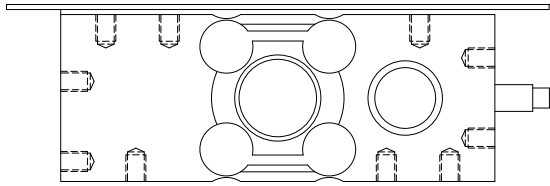
Specifications			
Rated Capacity	6/12/15/30/60 kg		
Rated Output	2.0±0.2 mV/V	Compensated Temp.	-10...+40°C
Excitation	3~15V	Operating Temp.	-35...+65°C
Zero Balance	±0.05 mV/V	Temp. Coeff. of Zero	±0.002% F.S./°C
Nonlinearity	±0.02% F.S.	Temp. Coeff. of Span	±0.002% F.S./°C
Hysteresis	±0.02% F.S.	Input Resistance	400±20 Ohms
Nonrepeatability	±0.01% F.S.	Output Resistance	352±5 Ohms
Creep(30min)	±0.02% F.S.	Insulation Resistance	>5000M Ohms(50V)
Safe Load Limit	150% F.S.	IP Rating	IP68
Breaking Load	250% F.S.	Element Material	Stainless steel
Cable	Ø5.5*6000mm 6-conductor shielded cable		

• LCS reserves the right to modify its design and specifications without notice



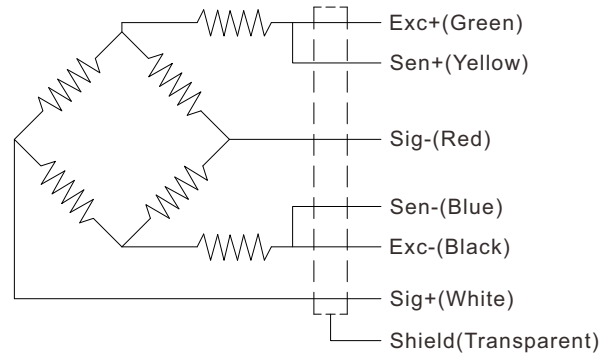


Load direction



Suitable for off center load measurement.  
Platform size goes up to 350x350mm

Wiring code



Shield is NOT connected to the sensor body

