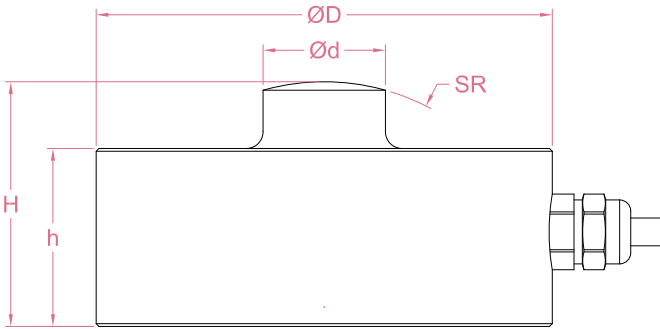
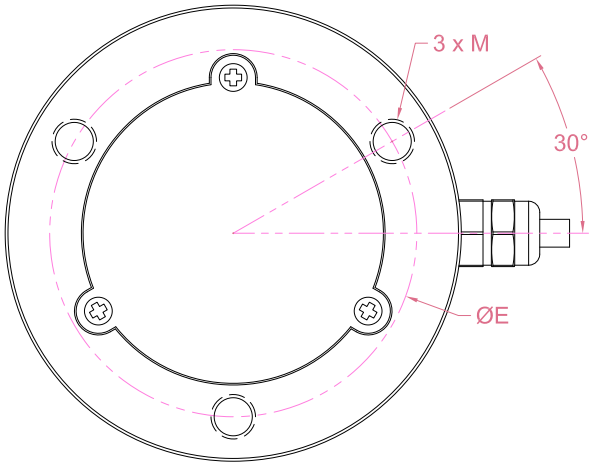




Dimensions in "mm"



Capacity	D	H	h	E	M	d	SR	Price
3/5/10kN	78	40	32	64	M6*1	15	40	116usd/pc
20/30/50/100kN	82	44	32	66	M8*1.25	22	50	139usd/pc
150/200/300kN	127	70	62	90	M10*1.5	25	60	185usd/pc

Order example:

2 x LCB11 - 50kN

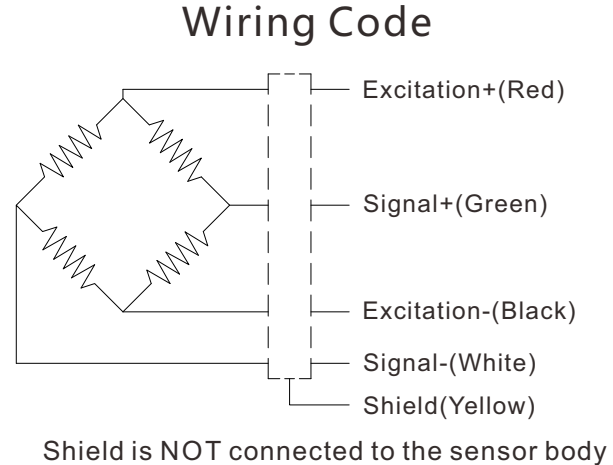
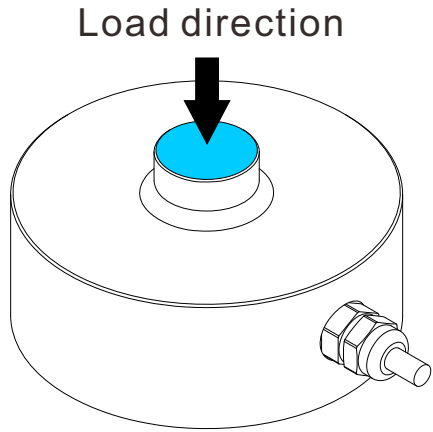
Quantity Model Capacity

Email to sales@loadcellsensor.com for a quote

Specifications			
Rated Capacity	3/5/10/20/30/50/100/150/200/300 kN		
Rated Output	2.0 mV/V	Compensated Temp.	0...+40°C
Excitation	3~15V	Operating Temp.	-20...+60°C
Zero Balance	±0.05 mV/V	Temp. Coeff. of Zero	±0.005% F.S./°C
Nonlinearity	±0.05% F.S. >50kN:±0.1% F.S.	Temp. Coeff. of Span	±0.005% F.S./°C
Hysteresis	±0.05% F.S. >50kN:±0.1% F.S.	Input Resistance	750±100 Ohms
Nonrepeatability	±0.03% F.S. >50kN:±0.05% F.S.	Output Resistance	700±50 Ohms
Creep(5min)	±0.03% F.S.	Insulation Resistance	>2000M Ohms(50V)
Safe Load Limit	150% F.S.	IP Rating	IP65
Breaking Load	200% F.S.	Element Material	Stainless steel
Cable	3~30kN: Ø5*3000mm 4-conductor shielded cable 50~300kN: Ø5.8*6000mm 4-conductor shielded cable		

• LCS reserves the right to modify its design and specifications without notice





Sensor/Amplifier/Indicator

Items	Power supply	Output/Function
LCB11	3-15V (Constant)	0mV...+30mV (Depending on the power supply)
LCB11 + Analog amplifier	12~24V DC	0-3.3V,0-5V,0-10V, 0-20mA,4-20mA...
LCB11 + Digital amplifier	12~24V DC	RS485 or RS232 output
LCB11 + Indicator	12~24V DC	Display force value Switch/Relay output Peak holding RS485/RS232 interface 0-5V/0-10V/4-20mA output

[Email us for datasheet of amplifier and indicator](mailto:sales@loadcellsensor.com)

Customization options

Cable (Length/Specifications/Connectors)
Dimensions and measuring range
Working Temperature (-40°C...+150°C)
IP Rating (Up to IP68)