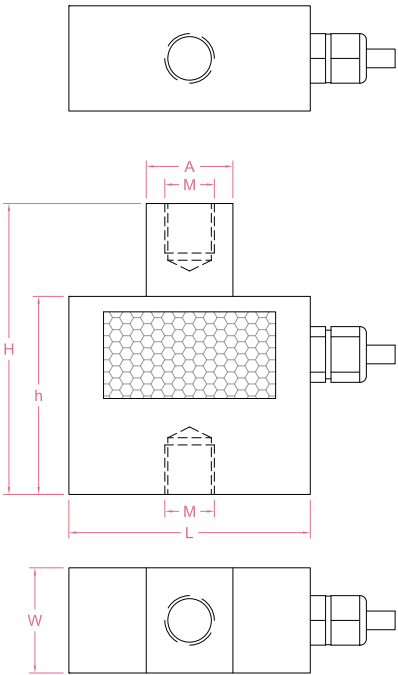


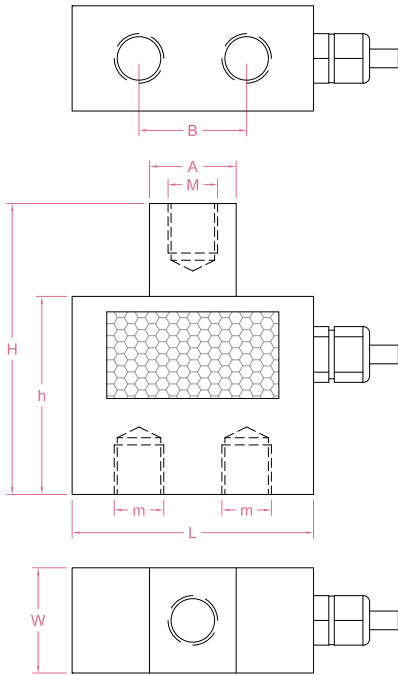


Dimensions in "mm"

Version A



Version B



| Capacity | L | W | H | h | A | M | B | m |
|----------|----|----|----|----|----|-------------------|----|------------------|
| 50~500kg | 39 | 17 | 47 | 32 | 14 | M8*1.25 DP 8 | 20 | M8*1.25 DP 8 |
| 1000kg | 42 | 22 | 53 | 35 | 19 | M12*1.75 DP 10 | 22 | M10*1.5 DP 10 |
| 2000kg | 65 | 36 | 77 | 50 | 32 | M20*1.5 DP 12 | 32 | M18*2.5 DP 12 |
| 5000kg | | | | | | M24*2 DP 15 | | M20*2.5 DP 12 |

Order example:

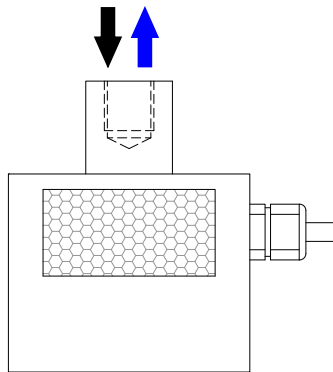
2 x SLCB - A - 100kg

Quantity Model Version Capacity
Email to sales@loadcellsensor.com for a quote

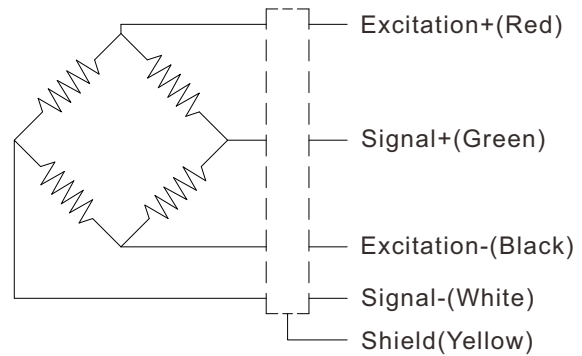
| Specifications | | | |
|------------------|---|-----------------------|------------------|
| Rated Capacity | 50/100/200/500/1000/2000/5000 kg | | |
| Rated Output | 1.0~1.5 mV/V | Compensated Temp. | 0...+40°C |
| Excitation | 3~12V | Operating Temp. | -20...+60°C |
| Zero Balance | ±0.05 mV/V | Temp. Coeff. of Zero | ±0.02% F.S./°C |
| Nonlinearity | ±0.3% F.S. | Temp. Coeff. of Span | ±0.02% F.S./°C |
| Hysteresis | ±0.3% F.S. | Input Resistance | 380±30 Ohms |
| Nonrepeatability | ±0.1% F.S. | Output Resistance | 350±10 Ohms |
| Creep(3min) | ±0.1% F.S. | Insulation Resistance | >2000M Ohms(50V) |
| Safe Load Limit | 150% F.S. | IP Rating | IP62 |
| Breaking Load | 200% F.S. | Element Material | Stainless steel |
| Cable | (≥1000kg: Ø4*3000mm) Ø3*3000mm 4-conductor shielded cable | | |

• LCS reserves the right to modify its design and specifications without notice

Load direction



Wiring Code@Compression



Shield is NOT connected to the sensor body

Sensor/Amplifier/Indicator

| Items | Power supply | Output/Function |
|--------------------------------|---------------------|---|
| SLCB | 3-12V (Constant) | -18mV...+18mV (Depending on the power supply) |
| SLCB + Analog amplifier | 12~24V DC | 0-3.3V,0-5V,0-10V,0-2.5-5V,0-5-10V -3.3-3.3V,-5-5V,-10-10V 0-20mA,4-20mA,4-12-20mA... |
| SLCB + Digital amplifier | 12~24V DC | RS485 or RS232 output |
| SLCB + Indicator | 12~24V DC | Display force value Switch/Relay output Peak holding RS485/RS232 interface 0-5V/0-10V/4-20mA output |

[Email us for datasheet of amplifier and indicator](#)

Customization options

| |
|---|
| Cable (Length/Specifications/Connectors) |
| Dimensions and measuring range |
| Working Temperature (-30°C...+120°C) |