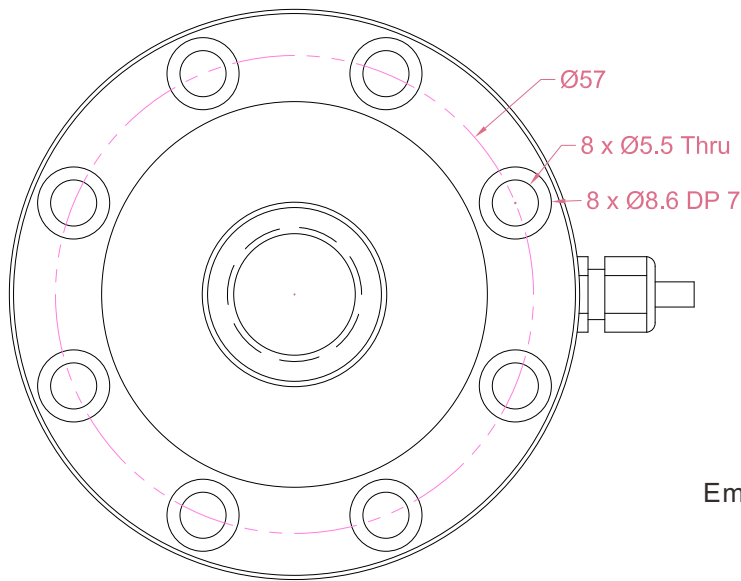
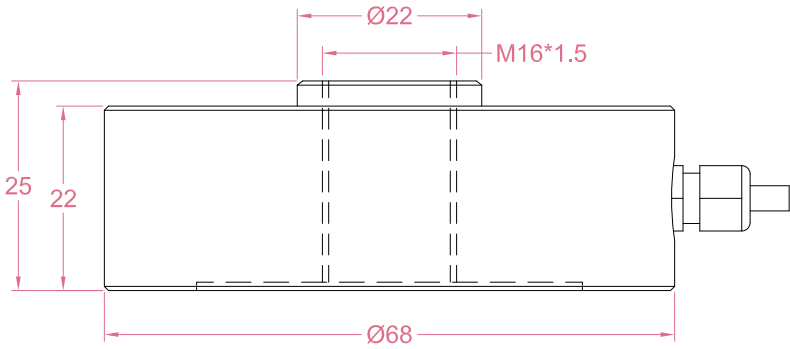




Dimensions in "mm"



Order example:

2 x LCP09 - 10kN

Quantity Model Capacity

Email to sales@loadcellsensor.com for a quote

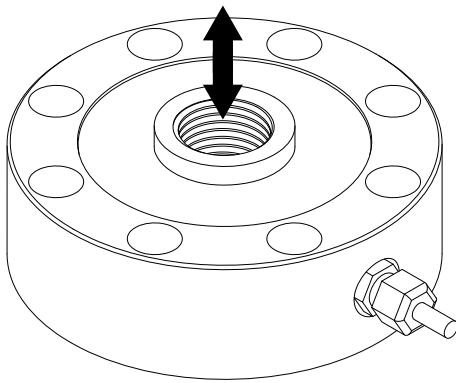
| Specifications | | | |
|------------------|--------------------------------------|-----------------------|------------------|
| Rated Capacity | 500/1k/2k/5k/10k/20k/30k N | | |
| Rated Output | 2.0 mV/V | Compensated Temp. | 0...+40°C |
| Excitation | 3~15V | Operating Temp. | -20...+60°C |
| Zero Balance | ±0.05 mV/V | Temp. Coeff. of Zero | ±0.01% F.S./°C |
| Nonlinearity | ±0.1% F.S. | Temp. Coeff. of Span | ±0.01% F.S./°C |
| Hysteresis | ±0.1% F.S. | Input Resistance | 750±100 Ohms |
| Nonrepeatability | ±0.05% F.S. | Output Resistance | 700±10 Ohms |
| Creep(5min) | ±0.05% F.S. | Insulation Resistance | >2000M Ohms(50V) |
| Safe Load Limit | 150% F.S. | IP Rating | IP66 |
| Breaking Load | 200% F.S. | Element Material | Stainless steel |
| Cable | Ø4*3000mm 4-conductor shielded cable | | |

• LCS reserves the right to modify its design and specifications without notice

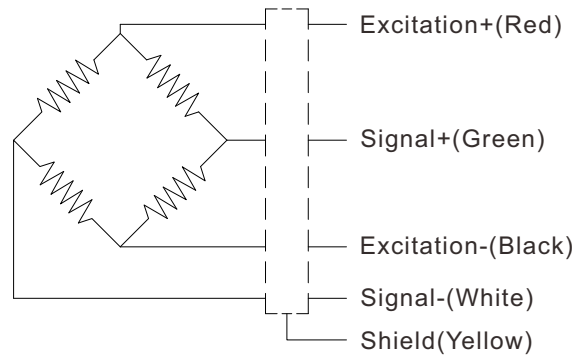




Load direction



Wiring Code@Compression



Shield is NOT connected to the sensor body

Sensor/Amplifier/Indicator

| Items | Power supply | Output/Function |
|---------------------------------|---------------------|---|
| LCP09 | 3-15V (Constant) | -30mV...+30mV (Depending on the power supply) |
| LCP09 + Analog amplifier | 12~24V DC | 0-3.3V,0-5V,0-10V, -5-5V,-10-10V,0-5-10V 0-20mA,4-20mA,4-12-20mA... |
| LCP09 + Digital amplifier | 12~24V DC | RS485 or RS232 output |
| LCP09 + Indicator | 12~24V DC | Display force value Switch/Relay output Peak holding RS485/RS232 interface 0-5V/0-10V/4-20mA output |

[Email us for datasheet of amplifier and indicator](#)

Customization options

| |
|---|
| Cable (Length/Specifications/Connectors) |
| Dimensions and measuring range |
| Working Temperature (-60°C...+220°C) |

