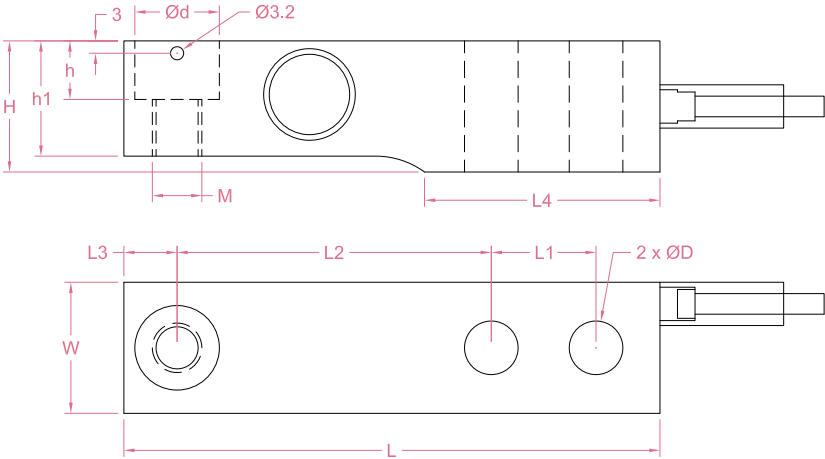




Dimensions in "mm"

Capacity	L	W	H	L1	L2	L3	L4	h1	h	d	D	M	Price
250kg	130	31.8	31.8	25.4	76.2	12.9	57.1	25.5	14.2	20.5	13	M12*1.75	89usd/pc
500kg								26					
1t								28					
1.5/2t			32										
5t	172	38	44	38.1	95.3	19.5	76.2	40	20	30.2	20.5	M20*2.5	115usd/pc



Capacity	L	W	H	L1	L2	L3	L4	h1	h	d	D	M
500lb	130	31.8	31.8	25.4	76.2	12.9	57.1	25.5	14.2	20.5	13	1/2-20UNF
1klb								26				
2/2.5klb								28				
4/5klb			32									
10klb	172	38	44	38.1	95.3	19.5	76.2	40	20	30.2	20.5	3/4-16UNF



Order example:

2 x LCG05 - 5t - 4W

Quantity Model Capacity 4W:4-wire
 6W:6-wire

Email to sales@loadcellsensor.com for a quote

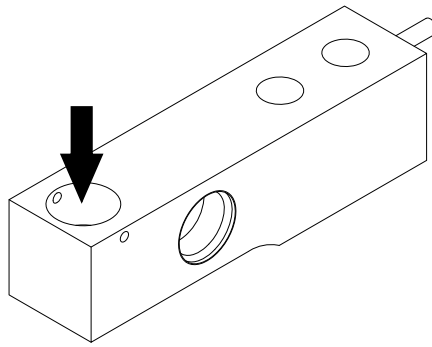
Specifications			
Rated Capacity	250/500/1000/1500/2000/5000 kg 500/1k/2k/2.5k/4k/5k/10k lb		
Rated Output	2.0±0.005 mV/V	Compensated Temp.	-10...+40°C
Excitation	3~15V	Operating Temp.	-30...+70°C
Zero Balance	±0.03 mV/V	Temp. Coeff. of Zero	±0.002% F.S./°C
Nonlinearity	±0.02% F.S.	Temp. Coeff. of Span	±0.002% F.S./°C
Hysteresis	±0.02% F.S.	Input Resistance	1000±50 Ohms
Nonrepeatability	±0.02% F.S.	Output Resistance	1000±10 Ohms
Creep(30min)	±0.02% F.S.	Insulation Resistance	>2000M Ohms(50V)
Safe Load Limit	150% F.S.	IP Rating	IP68
Breaking Load	250% F.S.	Element Material	Stainless steel
Cable	Ø5*3000mm 4-wire or 6-wire shielded cable		

• LCS reserves the right to modify its design and specifications without notice



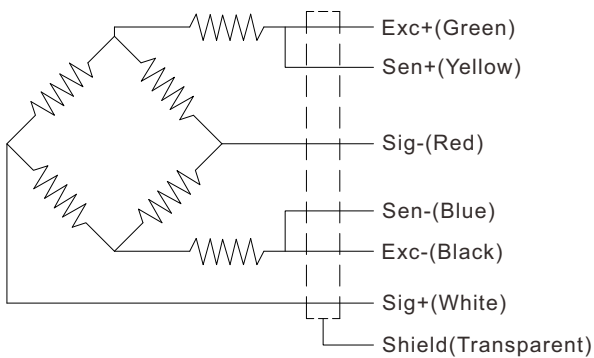


Load direction

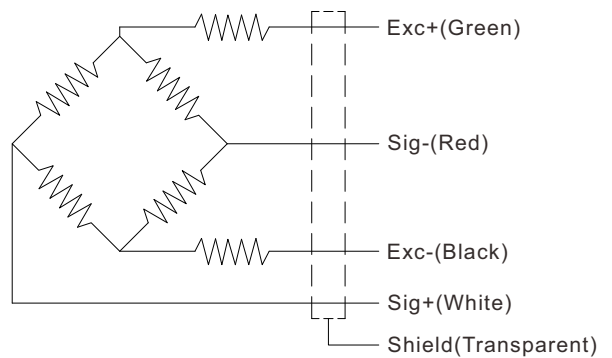


Wiring Diagram

6-wire connection

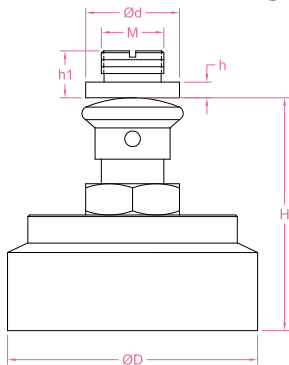
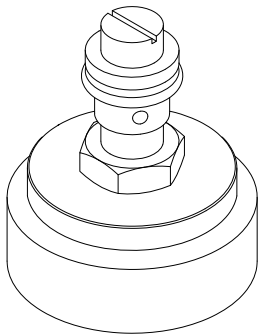


4-wire connection



Shield is NOT connected to the sensor body

Load cell foot



Item No.	D	H	d	h1	h	M
LCG05-A	60	48.5	20	12	2	1/2-20UNF
LCG05-B						M12*1.75
LCG05-C	80	66.3	30	15	5	M20*2.5
LCG05-D						3/4-16UNF

Material: Stainless steel and rubber

Installation diagram

