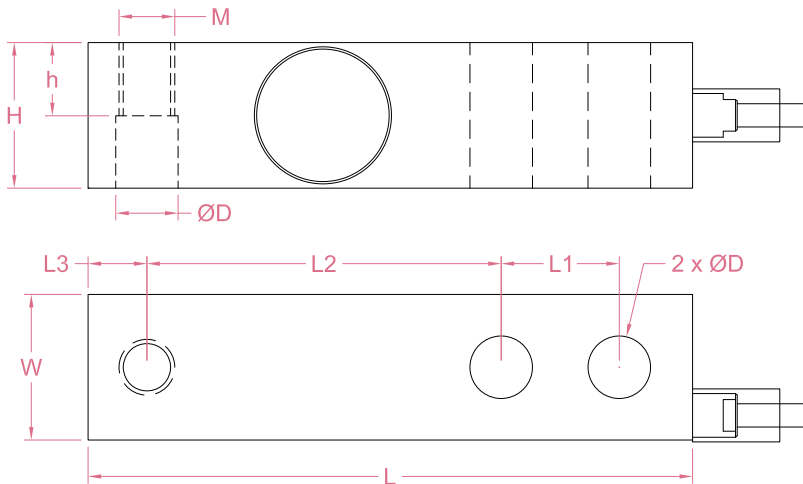




Dimensions in "mm"

Capacity	L	W	H	L1	L2	L3	h	D	M	Price
0.5/1/2t	130	31.3	31.3	25.4	76.2	12.7	15.5	13.45	M12*1.75	86usd/pc
5t	171	36.8	36.8	38.1	95.2	19.1	17.8	20.65	M20*2.5	106usd/pc



Capacity	L	W	H	L1	L2	L3	h	D	M
2.5/3/4/5klb	130	31.3	31.3	25.4	76.2	12.7	15.5	13.45	1/2-20UNF
5.0/7.5/10/15klb	171	36.8	36.8	38.1	95.2	19.1	17.8	20.65	3/4-16UNF

5klb and 5.0klb refers to two different sizes of 5klb capacity.

Order example:

2 x LCG06 - 2t

Quantity Model Capacity

Email to sales@loadcellsensor.com for a quote

Specifications			
Rated Capacity	0.5/1/2/5 ton 2.5/3/4/5/7.5/10/15klb		
Rated Output	3.0±0.008 mV/V	Compensated Temp.	-10...+40°C
Excitation	3~15V	Operating Temp.	-30...+70°C
Zero Balance	±0.05 mV/V	Temp. Coeff. of Zero	±0.002% F.S./°C
Nonlinearity	±0.02% F.S.	Temp. Coeff. of Span	±0.002% F.S./°C
Hysteresis	±0.02% F.S.	Input Resistance	352±10 Ohms
Nonrepeatability	±0.02% F.S.	Output Resistance	352±5 Ohms
Creep(30min)	±0.02% F.S.	Insulation Resistance	>2000M Ohms(50V)
Safe Load Limit	150% F.S.	IP Rating	IP67
Breaking Load	250% F.S.	Element Material	Stainless steel
Cable	Ø5*6000mm 4-conductor shielded cable		

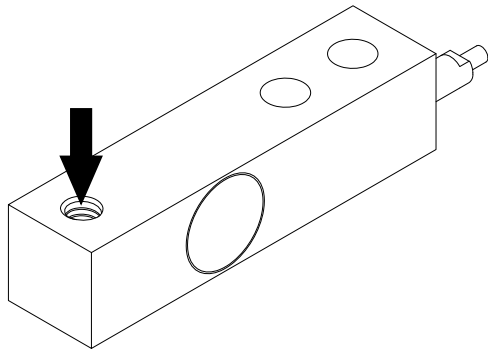
• LCS reserves the right to modify its design and specifications without notice

P:1/2

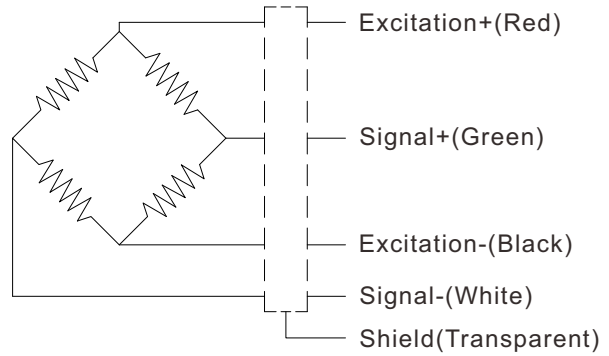




Load direction

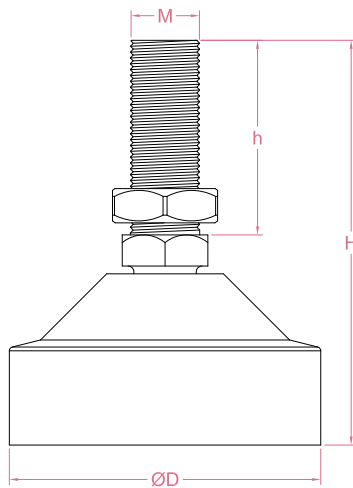
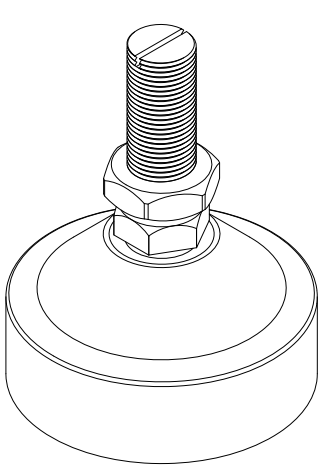


Wiring Code

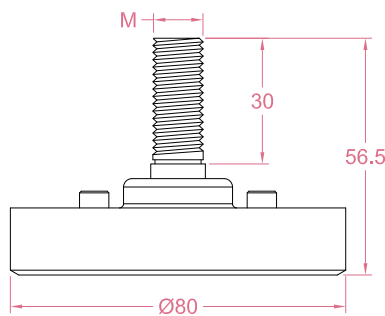
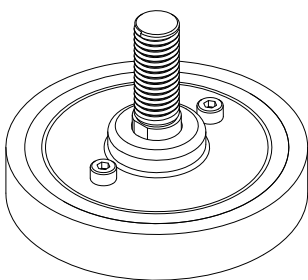


Shield is NOT connected to the sensor body

Load cell foot



Item No.	D	H	h	M
LCG06-A	60	92	50	1/2-20UNF
LCG06-B				M12*1.75
LCG06-C	80	105	50	M20*2.5
LCG06-D				3/4-16UNF
Material: Stainless steel and rubber				



Item No.	M
LCG06-E	1/2-20UNF
LCG06-F	M12*1.75
Material: Stainless steel and rubber	

