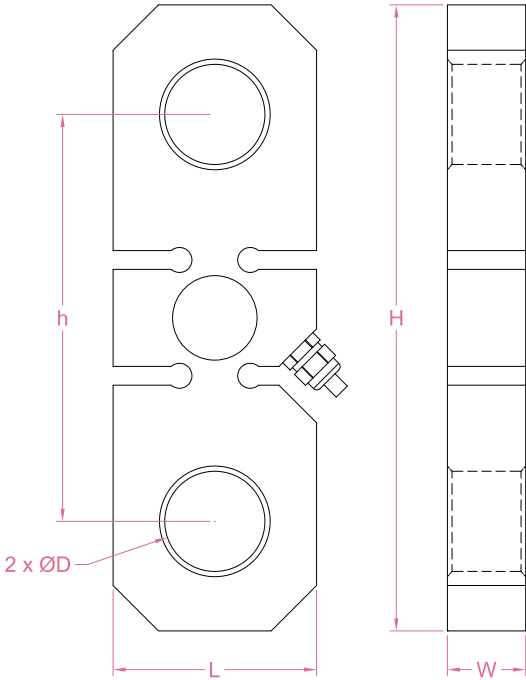




Dimensions in "mm"



Capacity	H	W	L	h	D	Rated output	Price
2/3t	200	25	65	130	32	≈2.0mV/V	99usd/pc
5t	230	30	70	150	36		115usd/pc
10t	300	38	90	200	45		139usd/pc
20t	330	42	110	205	60		190usd/pc
30t	350	50	126	216	60		260usd/pc
50t	500	60	180	320	72	≈1.5mV/V	499usd/pc
100t	570	90	170	370	100		960usd/pc
200t	650	125	230	380	135		1720usd/pc

Order example:  
**2 x TLB - 10t**  
 Quantity    Model    Capacity  
 Email to [sales@loadcellsensor.com](mailto:sales@loadcellsensor.com) for a quote

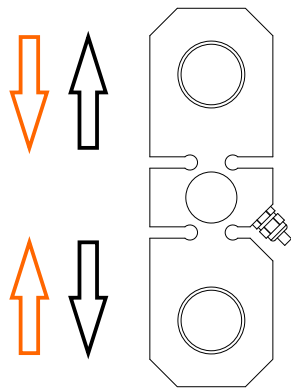
Specifications			
Rated Capacity	2/3/5/10/20/30/50/100/200 ton		
Rated Output	1.5/2.0 mV/V	Compensated Temp.	-10...+40°C
Excitation	3~15V	Operating Temp.	-20...+60°C
Zero Balance	±0.05 mV/V	Temp. Coeff. of Zero	±0.005% F.S./°C
Nonlinearity	2~20t: ±0.05% F.S.	Temp. Coeff. of Span	±0.005% F.S./°C
Hysteresis	30/50t: ±0.1% F.S.	Input Resistance	380±30 Ohms
Nonrepeatability	100/200t: ±0.2% F.S.	Output Resistance	350±5 Ohms
Creep(5min)	±0.03% F.S.	Insulation Resistance	>2000M Ohms(50V)
Safe Load Limit	150% F.S.	IP Rating	IP65
Breaking Load	200% F.S.	Element Material	Alloy steel
Cable	2t/3t: Ø5*3000mm 4-conductor shielded cable 5t~200t: Ø5.8*6000mm 4-conductor shielded cable		

• LCS reserves the right to modify its design and specifications without notice

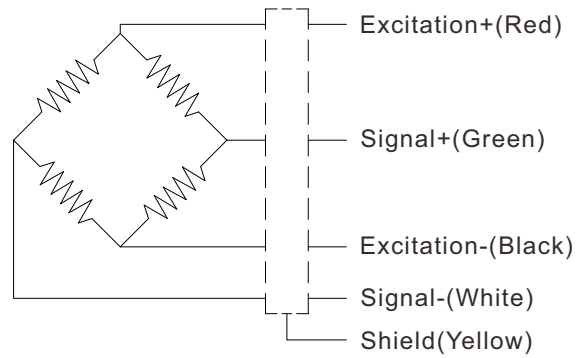




Load direction



Wiring Code@Tension



Shield is NOT connected to the sensor body

Customization options

Output (0-5V,0-10V,4-20mA)
Dimensions and measuring range
IP rating up to IP68
Working Temperature (-40°C...+150°C)

