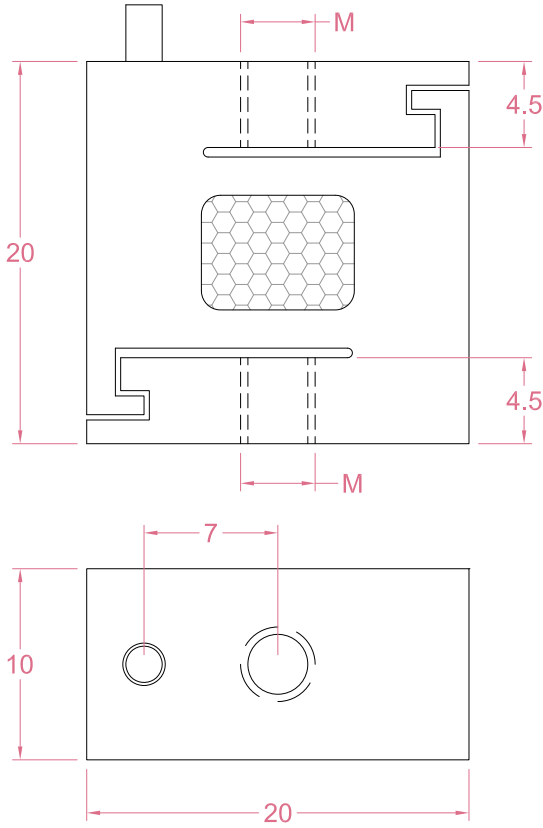
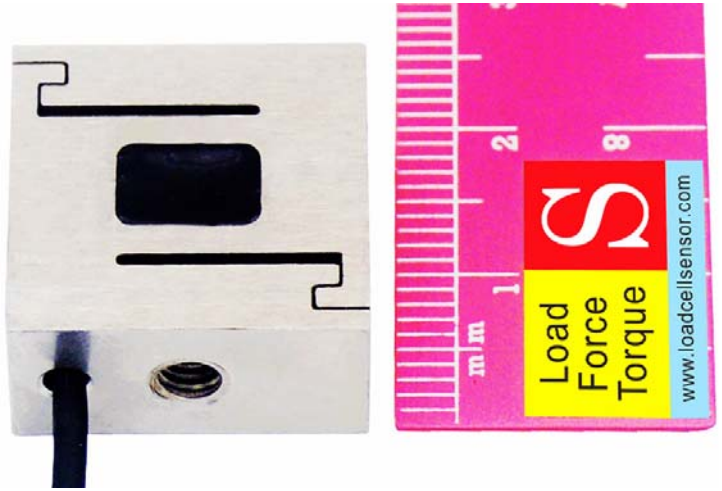




Dimensions in “mm”



Capacity	M
10/20/50/100kg	M4*0.7
10/20/50/100/150/200kg	M6*1



Order example:

2 x LCS16 -50kg- M4

Quantity: 2, Model: LCS16, Capacity: -50kg, M4/M6

Email to [sales@loadcellsensor.com](mailto:sales@loadcellsensor.com) for a quote

Specifications

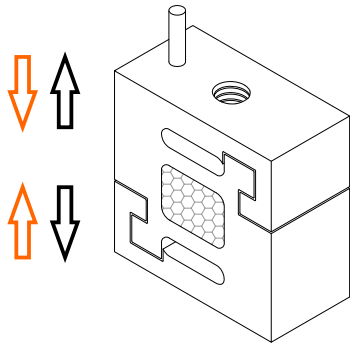
Rated Capacity	10/20/50/100/150/200 kg		
Rated Output	2.0 mV/V	Compensated Temp.	0...+40°C
Excitation	3~12V	Operating Temp.	-20...+60°C
Zero Balance	±0.1 mV/V	Temp. Coeff. of Zero	±0.03% F.S./°C
Nonlinearity	±0.2% F.S.	Temp. Coeff. of Span	±0.02% F.S./°C
Hysteresis	±0.2% F.S.	Input Resistance	350±30 Ohms
Nonrepeatability	±0.1% F.S.	Output Resistance	350±5 Ohms
Creep(5min)	±0.05% F.S.	Insulation Resistance	>2000M Ohms(50V)
Safe Load Limit	150% F.S.	IP Rating	IP62
Breaking Load	200% F.S.	Element Material	Stainless steel
Cable	Ø1.9*1000mm 4-conductor shielded cable		

• LCS reserves the right to modify its design and specifications without notice



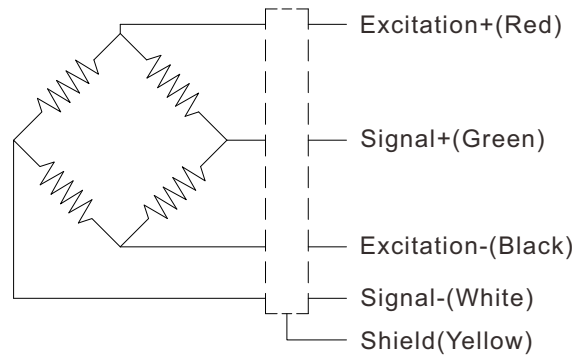


Load direction



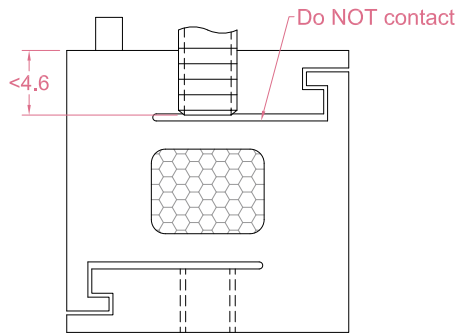
M4 version: Tension up to 50kg  
 M6 version: Tension up to 100kg

Wiring Code@Compression



Shield is NOT connected to the sensor body

Precautions



The mounting depth of the bolt is recommended to be less than 4.6mm to keep distance from the "Do NOT contact" surface. Same for both sides.

Sensor/Amplifier/Indicator

Items	Power supply	Output/Function
LCS16	3-12V (Constant)	-24mV...+24mV (Depending on the power supply)
LCS16 + Analog amplifier	12~24V DC	0-3.3V,0-5V,0-10V,0-2.5-5V,0-5-10V -3.3-3.3V,-5-5V,-10-10V 0-20mA,4-20mA,4-12-20mA...
LCS16 + Digital amplifier	12~24V DC	RS485 or RS232 output
LCS16 + Indicator	12~24V DC	Display force value Switch/Relay output Peak holding RS485/RS232 interface 0-5V/0-10V/4-20mA output

[Email us for datasheet of amplifier and indicator](#)

