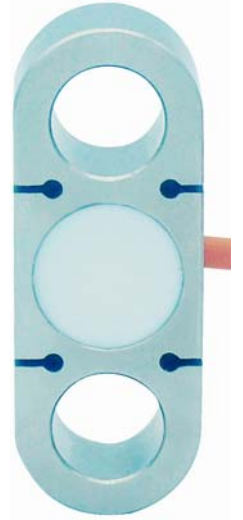
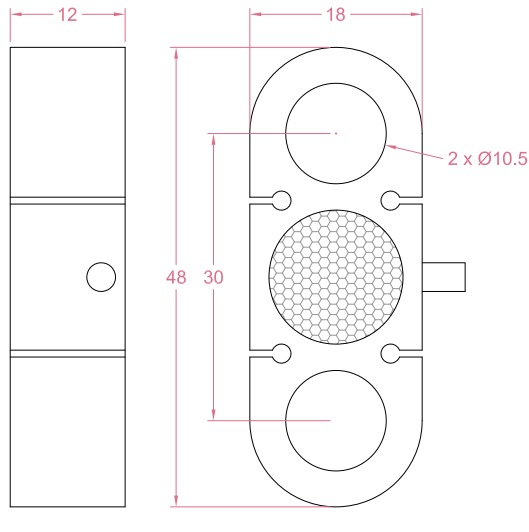
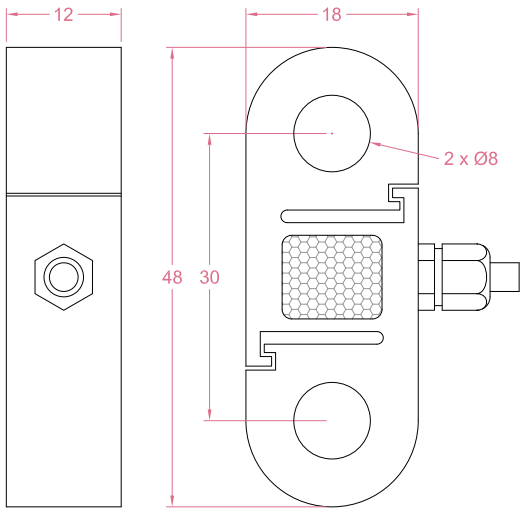




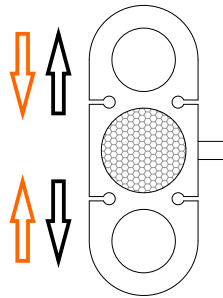
Dimensions in "mm"

10~200kg

500/1000kg



Load direction



Customization options

Dimensions & measuring range
IP rating up to IP68
Working Temperature (-40°C...+150°C)

Order example:

2 x TLA - 50kg - A

Quantity Model Capacity A: Alloy steel S: Stainless steel
Email to sales@loadcellsensor.com for a quote

Specifications

Rated Capacity	10/20/50/100/200/500/1000 kg		
Rated Output	2.0 mV/V	Compensated Temp.	0...+40°C
Excitation	3~15V	Operating Temp.	-20...+60°C
Zero Balance	±0.05 mV/V	Temp. Coeff. of Zero	±0.02% F.S./°C
Nonlinearity	±0.3% F.S.	Temp. Coeff. of Span	±0.02% F.S./°C
Hysteresis	±0.3% F.S.	Input Resistance	350±30 Ohms
Nonrepeatability	±0.1% F.S.	Output Resistance	350±10 Ohms
Creep(5min)	±0.05% F.S.	Insulation Resistance	>2000M Ohms(50V)
Safe Load Limit	150% F.S.	IP Rating	IP62
Breaking Load	200% F.S.	Element Material	Alloy steel or Stainless steel
Cable	Ø3*1000mm 4-conductor shielded cable		

• LCS reserves the right to modify its design and specifications without notice

