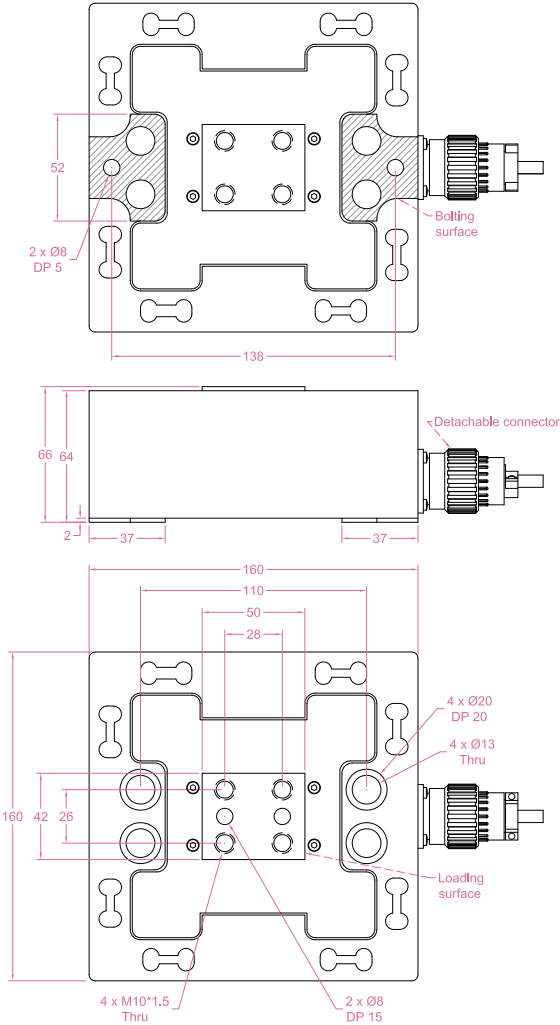




Dimensions in "mm"



Order example:

2 x LCM04 - H

Quantity    Ordering part No.

Email to [sales@loadcellsensor.com](mailto:sales@loadcellsensor.com) for a quote

Specifications			
Rated Capacity	Refer to ordering part No.		
Rated Output	1.0 mV/V	Crosstalk	<3% F.S.
Excitation	3~15V	Operating Temp.	-10...+60°C
Zero Balance	±0.05 mV/V	Temp. Coeff. of Zero	±0.02% F.S./°C
Nonlinearity	±0.3% F.S.	Temp. Coeff. of Span	±0.02% F.S./°C
Hysteresis	±0.3% F.S.	Input Resistance	750±100 Ohms
Nonrepeatability	±0.1% F.S.	Output Resistance	700±100 Ohms
Creep(3min)	±0.05% F.S.	Insulation Resistance	>2000M Ohms(50V)
Safe Load Limit	150% F.S.	IP Rating	IP62
Breaking Load	200% F.S.	Element Material	Stainless steel
Cable	Ø6*3000mm 12-conductor shielded cable		

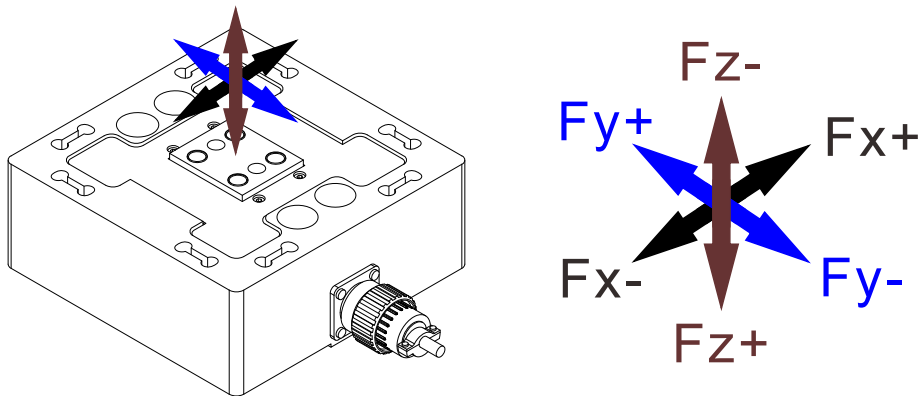
Ordering part No.: Model - Code			
Model	Code	Capacity	
		Fx=Fy	Fz
LCM04	A	5kN	5kN
	B	5kN	10kN
	C	10kN	10kN
	D	10kN	20kN
	E	20kN	20kN
	F	20kN	30kN
	G	30kN	30kN
	H	30kN	50kN
	I	50kN	50kN

Example: LCM04-D means:  
 Fx capacity: 10kN  
 Fy capacity: 10kN  
 Fz capacity: 20kN

• LCS reserves the right to modify its design and specifications without notice

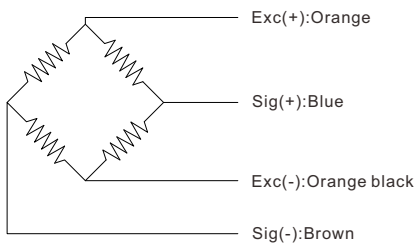


Load direction

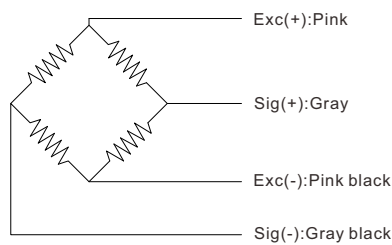


Wiring Code

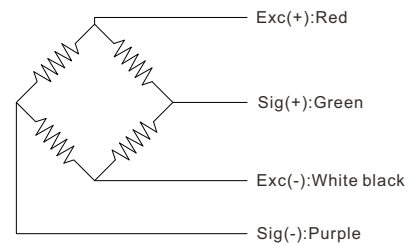
X-axis



Y-axis



Z-axis



Shield is NOT connected to the sensor body

Sensor/Amplifier/Indicator

Items	Power supply	Output/Function
LCM04	3-15V (Constant)	-15mV...+15mV (Depending on the power supply)
LCM04 + Analog amplifier	12~24V DC	0-3.3V,0-5V,0-10V,0-2.5-5V,0-5-10V -3.3-3.3V,-5-5V,-10-10V 0-20mA,4-20mA,4-12-20mA...
LCM04 + Digital amplifier	12~24V DC	RS485 or RS232 output

[Email us for datasheet of amplifiers](#)