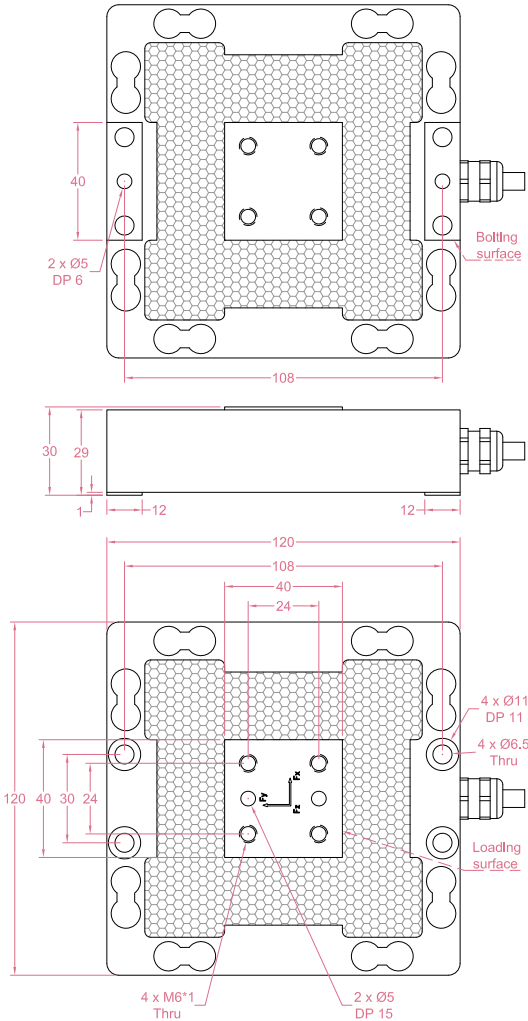




Dimensions in "mm"



Order example:

2 x LCM03 - M

Quantity Ordering part No.

Email to sales@loadcellsensor.com for a quote

Specifications			
Rated Capacity	Refer to ordering part No.		
Rated Output	1.0 mV/V	Crosstalk	<3% F.S.
Excitation	3~12V	Operating Temp.	-10...+60°C
Zero Balance	±0.05 mV/V	Temp. Coeff. of Zero	±0.03% F.S./°C
Nonlinearity	±0.3% F.S.	Temp. Coeff. of Span	±0.02% F.S./°C
Hysteresis	±0.3% F.S.	Input Resistance	750±100 Ohms
Nonrepeatability	±0.1% F.S.	Output Resistance	700±100 Ohms
Creep(3min)	±0.1% F.S.	Insulation Resistance	>2000M Ohms(50V)
Safe Load Limit	150% F.S.	IP Rating	IP65
Breaking Load	200% F.S.	Element Material	Refer to ordering part No.
Cable	Ø6*3000mm 12-conductor shielded cable		

Ordering part No.: Model - Code				
Model	Code	Capacity		Material
		Fx=Fy	Fz	
LCM03	A	20kg	20kg	Aluminum
	B	20kg	30kg	
	C	30kg	30kg	
	D	30kg	50kg	
	E	50kg	50kg	
	F	50kg	100kg	
	G	100kg	100kg	Stainless steel
	H	100kg	200kg	
	I	200kg	200kg	
	J	200kg	300kg	
	K	300kg	300kg	
	L	300kg	500kg	
M	500kg	500kg		

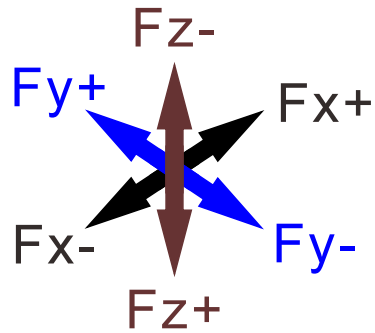
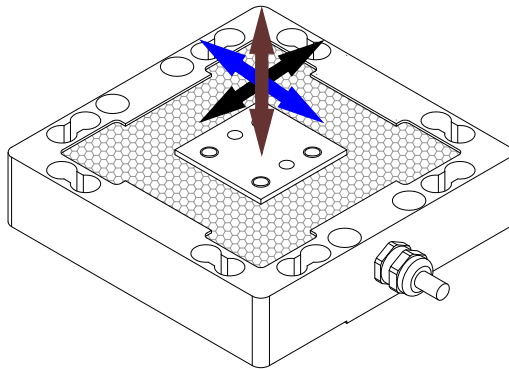
Example: LCM03-H means:
 Fx capacity: 100kg
 Fy capacity: 100kg
 Fz capacity: 200kg
 Material: Stainless steel

• LCS reserves the right to modify its design and specifications without notice



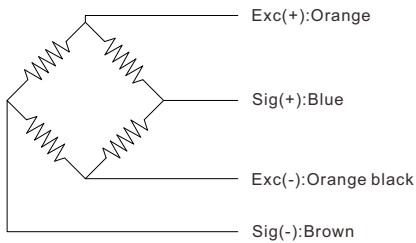


Load direction

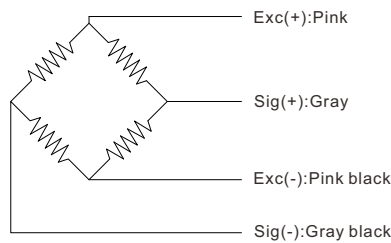


Wiring Code

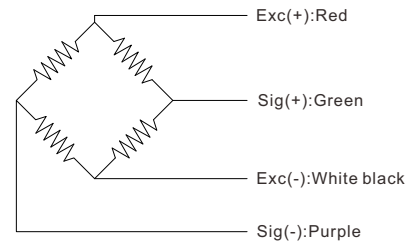
X-axis



Y-axis



Z-axis



Shield is NOT connected to the sensor body

Sensor/Amplifier/Indicator

Items	Power supply	Output/Function
LCM03	3-12V (Constant)	-12mV...+12mV (Depending on the power supply)
LCM03 + Analog amplifier	12~24V DC	0-3.3V,0-5V,0-10V,0-2.5-5V,0-5-10V -3.3-3.3V,-5-5V,-10-10V 0-20mA,4-20mA,4-12-20mA...
LCM03 + Digital amplifier	12~24V DC	RS485 or RS232 output

Email us for datasheet of amplifiers

