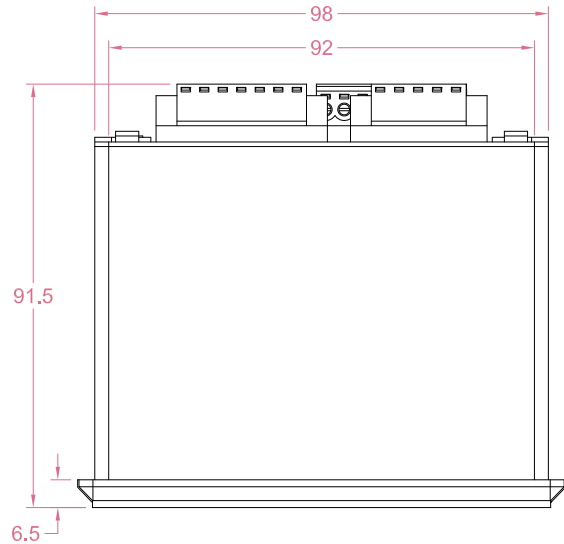
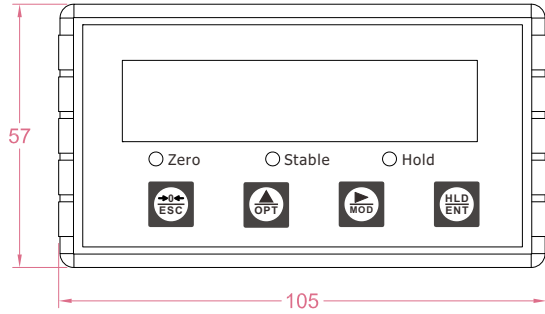
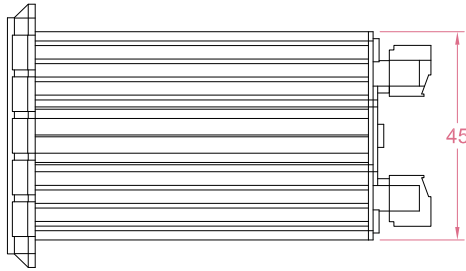




Dimensions in "mm"



Power Supply	12~24V DC
Power Consumption	<10W
ADC	24-bit Delta-Sigma
A/D Conversion Rate	120/480/960Hz
Accuracy	±0.01% F.S.
Excitation For Load Cell	5V DC
Applicable Rated output	≤3.0 mV/V
Display Range	-99999...999999
Working Temperature	-10...+40°C
IP Rating	IP40
Housing	Aluminum
Panel Cutout	93x46mm
Communication Interface	RS485 or RS232
Analog Output	-5-5V,-10-10V,0-5V,0-10V, 4-20mA,0-20mA,Self-define
I/O	1-switch input 2-switch output
Other Functions	Auto zero tracking,Peak hold

Ordering code				
Part No.	Communication Interface		Analog Output	Peak Hold Auto Zero Tracking 1-Switch Input 2-Switch Output
	RS485	RS232		
SD01-A	✓			✓
SD01-B		✓		✓
SD01-C	✓		✓	✓
SD01-D		✓	✓	✓

Order example:

2 x SD01-A

Quantity

Part No.

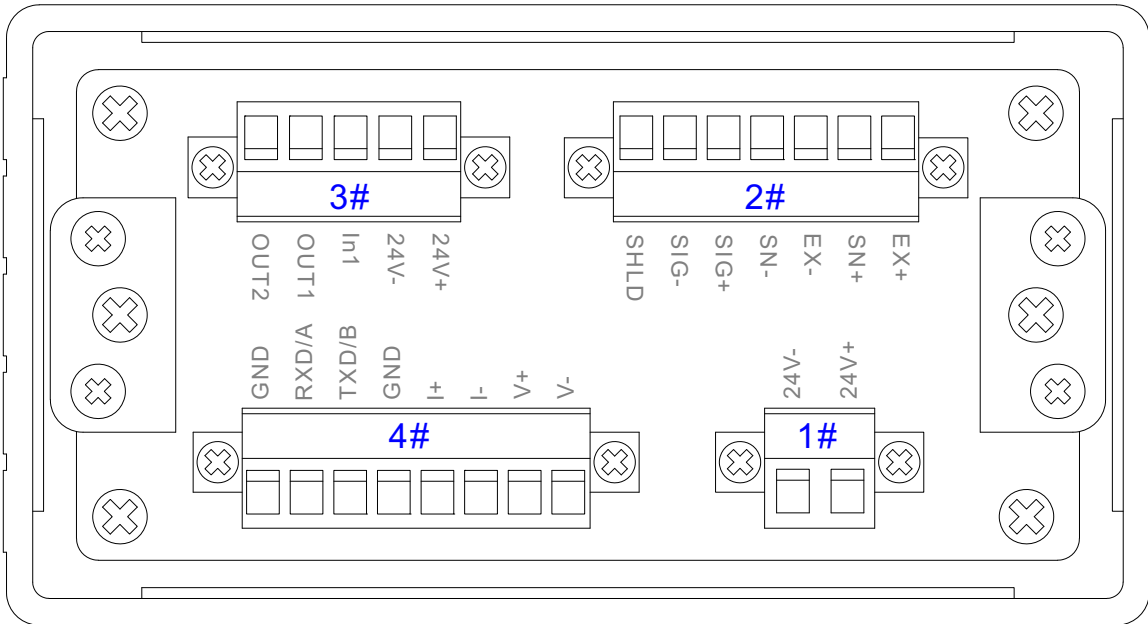
Email to sales@loadcellsensor.com for a quote

• LCS reserves the right to modify its design and specifications without notice

P:1/2



Wiring Instruction

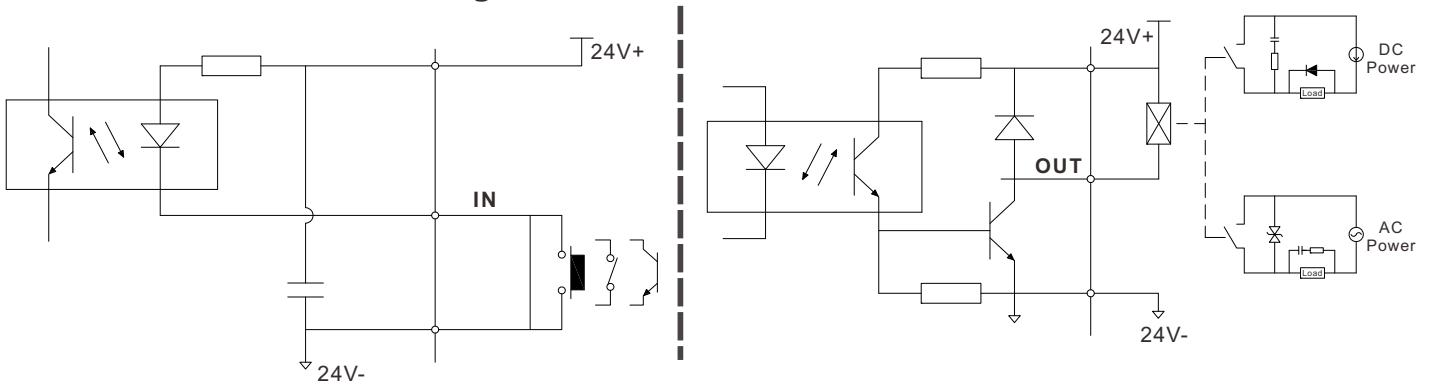


1#--Power supply(12~24V DC)

2#--Sensor connection

Terminal	EX+	SN+	EX-	SN-	SIG+	SIG-	SHLD
6-wire connection	Excitation+	Sense+	Excitation-	Sense-	Signal+	Signal-	Shield
4-wire connection	Excitation+		Excitation-		Signal+	Signal-	Shield

3#--I/O schematic diagram



4#--Communication interface and analog output

V+	V-	I+	I-	RXD/A	TXD/B	GND
Analog voltage output		Analog current output		RS485/RS232 interface		

Email to sales@loadcellsensor.com for user manual

P:2/2