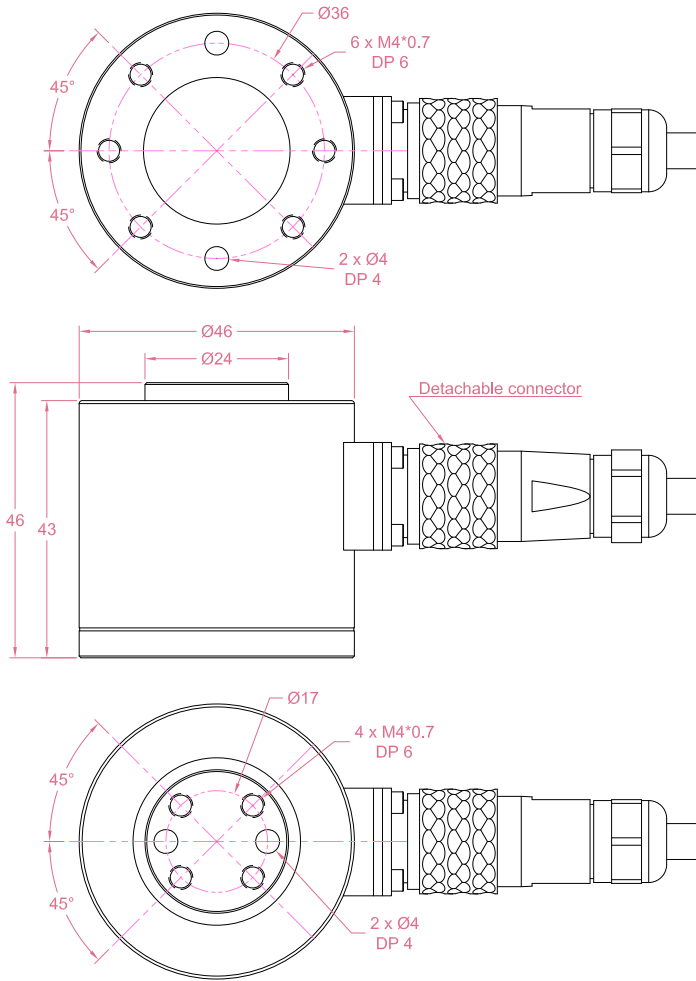




Dimensions in "mm"



Order example:

2 x LCM6A - F

Quantity Ordering part No.

Email to sales@loadcellsensor.com for a quote

Specifications

Rated Capacity	Refer to ordering part No.		
Rated Output	1.0 mV/V	Compensated Temp.	0...+40°C
Excitation	3~12V	Operating Temp.	-20...+60°C
Zero Balance	±0.05 mV/V	Temp. Coeff. of Zero	±0.02% F.S./°C
Nonlinearity	±0.3% F.S.	Temp. Coeff. of Span	±0.02% F.S./°C
Hysteresis	±0.3% F.S.	Input Resistance	350±30 Ohms
Nonrepeatability	±0.2% F.S.	Output Resistance	350±10 Ohms
Creep(3min)	±0.1% F.S.	Insulation Resistance	>2000M Ohms(50V)
Safe Load Limit	150% F.S.	IP Rating	IP60
Breaking Load	200% F.S.	Element Material	Stainless steel
Cable	3 x Ø3*3000mm 4-conductor shielded cable		

Ordering part No.: Model - Code

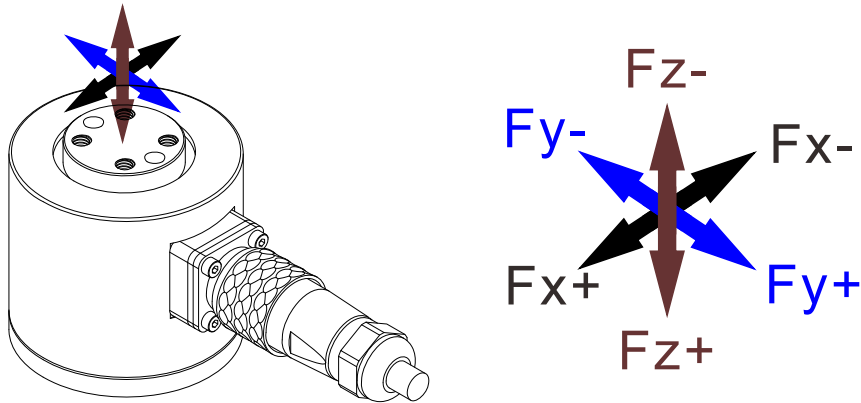
Model	Code	Capacity	
		Fx=Fy	Fz
LCM6A	A	50N	50N
	B	50N	100N
	C	100N	100N
	D	100N	200N
	E	200N	200N
	F	200N	500N
	G	500N	500N
	H	500N	1kN
	I	1kN	1kN
	J	1kN	2kN

Example: LCM6A-B means:
 Fx capacity: 50N
 Fy capacity: 50N
 Fz capacity: 100N

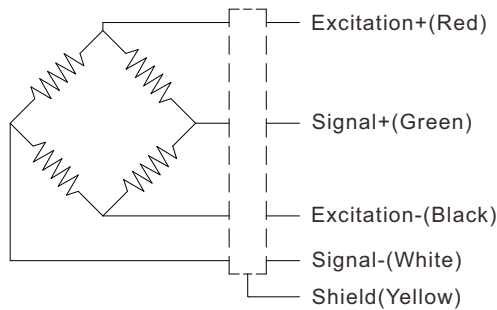
• LCS reserves the right to modify its design and specifications without notice



Load direction



Wiring Code (Same for X/Y/Z axis)



Shield is NOT connected to the sensor body

Sensor/Amplifier/Indicator

Items	Power supply	Output/Function
LCM6A	3-12V (Constant)	-12mV...+12mV (Depending on the power supply)
LCM6A + Analog amplifier	12~24V DC	0-3.3V,0-5V,0-10V,0-2.5-5V,0-5-10V -3.3-3.3V,-5-5V,-10-10V 0-20mA,4-20mA,4-12-20mA...
LCM6A + Digital amplifier	12~24V DC	RS485 or RS232 output

[Email us for datasheet of amplifiers](#)