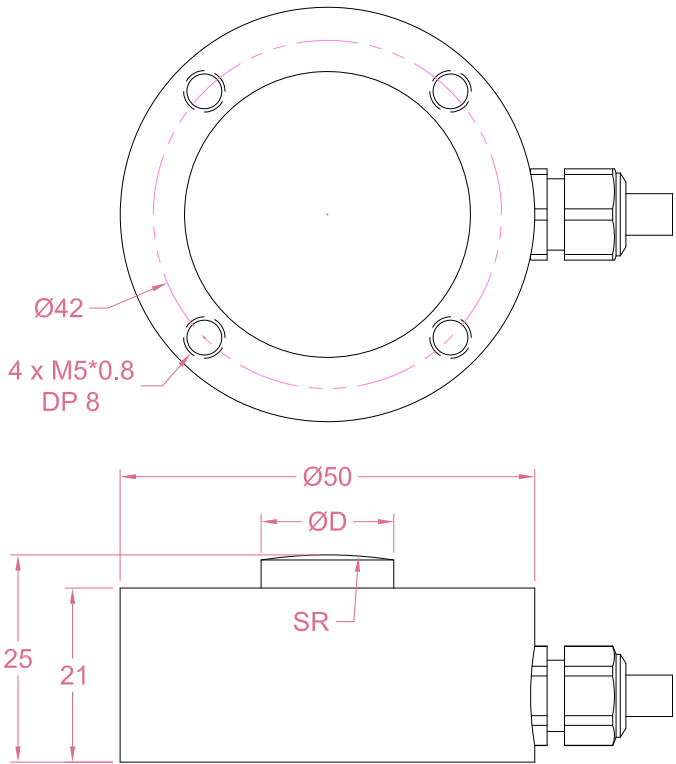




Dimensions in "mm"



Order example:

2 x LCB10 - 500kg

Quantity Model Capacity

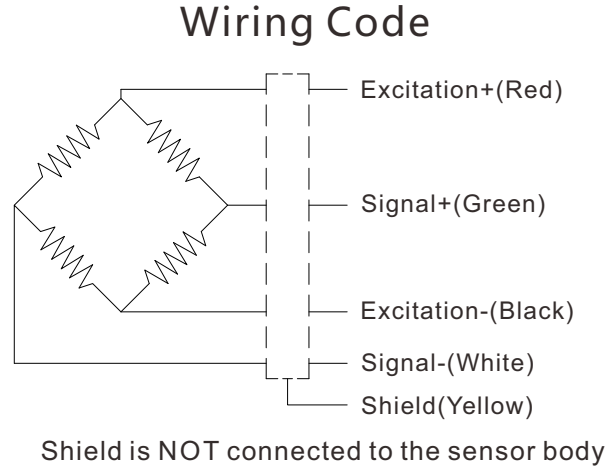
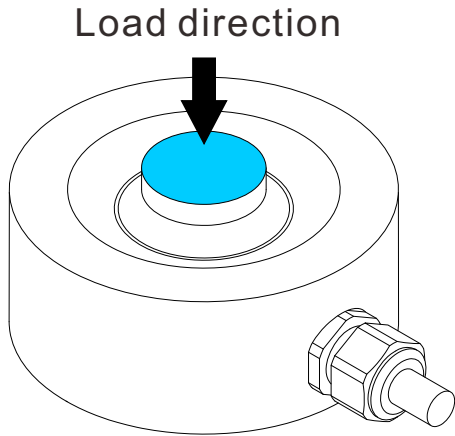
Email to sales@loadcellsensor.com for a quote

Capacity	D	SR
100/200/500kg 1t/2t	13	60
5t	16	80
10t	21	100

Specifications			
Rated Capacity	100/200/500kg 1/2/5/10 t		
Rated Output	1.5 mV/V	Compensated Temp.	0...+40°C
Excitation	3~15V	Operating Temp.	-20...+60°C
Zero Balance	±0.05 mV/V	Temp. Coeff. of Zero	±0.02% F.S./°C
Nonlinearity	±0.3% F.S.	Temp. Coeff. of Span	±0.02% F.S./°C
Hysteresis	±0.3% F.S.	Input Resistance	780±50 Ohms
Nonrepeatability	±0.1% F.S.	Output Resistance	700±20 Ohms
Creep(5min)	±0.05% F.S.	Insulation Resistance	>2000M Ohms(50V)
Safe Load Limit	150% F.S.	IP Rating	IP66
Breaking Load	200% F.S.	Element Material	Stainless steel
Cable	Ø4*4000mm 4-conductor shielded cable		

• LCS reserves the right to modify its design and specifications without notice





Sensor/Amplifier/Indicator

Items	Power supply	Output/Function
LCB10	3-15V (Constant)	0mV...+22.5mV (Depending on the power supply)
LCB10 + Analog amplifier	12~24V DC	0-3.3V,0-5V,0-10V, 0-20mA,4-20mA...
LCB10 + Digital amplifier	12~24V DC	RS485 or RS232 output
LCB10 + Indicator	12~24V DC	Display force value Switch/Relay output Peak holding RS485/RS232 interface 0-5V/0-10V/4-20mA output

[Email us for datasheet of amplifier and indicator](#)

Customization options

Cable (Length/Specifications/Connectors)
Dimensions and measuring range
Working Temperature (-40°C...+150°C)
IP Rating (Up to IP68)