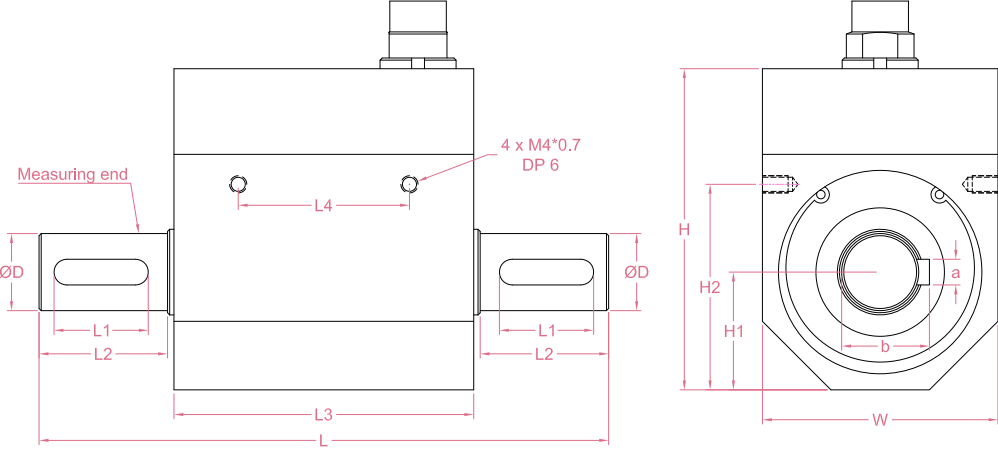
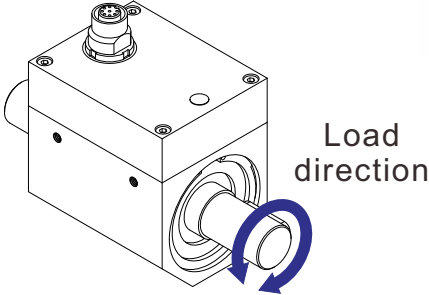




Dimensions in "mm"



| Torque capacity | Speed range | L | H | W | D | L1 | L2 | L3 | L4 | H1 | H2 | a | b |
|----------------------|-------------|-----|----|----|----|----|----|----|----|------|----|---|------|
| 5/10/20/30/50/100 Nm | 0~8000RPM | 133 | 75 | 55 | 18 | 24 | 30 | 70 | 40 | 27.5 | 48 | 6 | 20.5 |
| 200/300/500 Nm | 0~6000RPM | 144 | 85 | 65 | 28 | 30 | 35 | 70 | 46 | 32.5 | 57 | 8 | 31 |



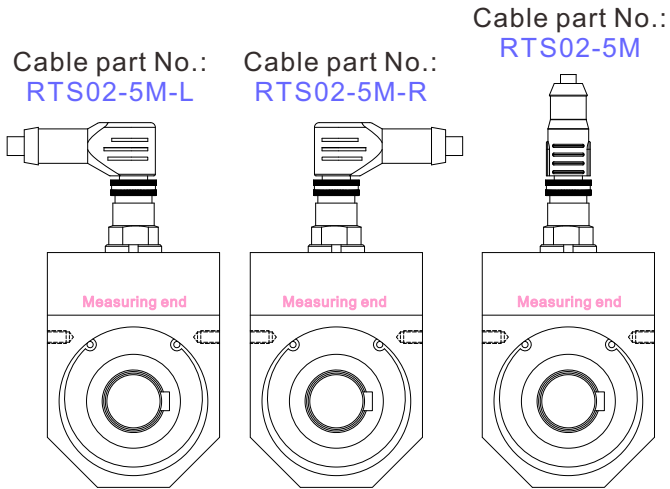
| Specifications | |
|-------------------|----------------------------------|
| Torque Capacity | 5/10/20/30/50/100/200/300/500 Nm |
| Excitation | 12 or 24V DC |
| Rated Output | Refer to ordering part No. |
| Sampling Rate | 500Hz |
| Nonlinearity | ±0.2% F.S. |
| Hysteresis | ±0.2% F.S. |
| Nonrepeatability | ±0.2% F.S. |
| Creep(5min) | ±0.1% F.S. |
| Safe Torque Limit | 150% F.S. |
| Breaking Torque | 200% F.S. |
| Operating Temp. | -10...+60°C |
| IP Rating | IP40 |
| Element Material | Stainless steel |
| Housing Material | Aluminum alloy |
| Cable | Ø6*5000mm with mating connector |

• LCS reserves the right to modify its design and specifications without notice

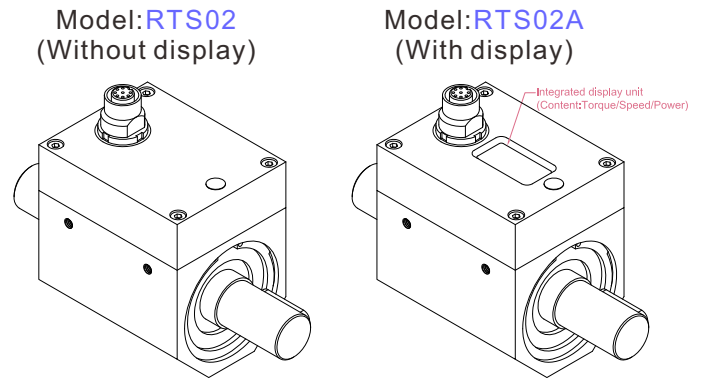




Cable Options



Display Options



Ordering part No.

| Torque Measurement Only | | | | |
|---|---|------|--------------|---------------|
| Ordering part No.: Model - Torque capacity - Code | | | | |
| Model | Torque cap. (Nm) | Code | Power supply | Torque output |
| RTS02 RTS02A | 5 10 20 30 50 100 200 300 500 | A | 24V DC | -3.3-3.3V |
| | | B | | 0-1.65-3.3V |
| | | C | | -5-5V |
| | | D | | 0-2.5-5V |
| | | E | | -10-10V |
| | | F | | 0-5V-10V |
| | | G | 12V DC | 4-12-20mA |
| | | H | | -3.3-3.3V |
| | | I | | 0-1.65-3.3V |
| | | J | | -5-5V |
| | | K | | 0-2.5-5V |
| | | L | | 4-12-20mA |

Example: **RTS02-100-C** means:
Model: RTS02(Without display unit)
Power supply: 24V DC
Torque channel: -100Nm~100Nm VS -5-5V

| Torque And Speed Measurement | | | | | | |
|--|---|----------------------|------|--------------|---------------|--------------|
| Ordering part No.: Model - Torque capacity - Speed capacity - Code | | | | | | |
| Model | Torque cap. (Nm) | Speed cap. (RPM) | Code | Power supply | Torque output | Speed output |
| RTS02 RTS02A | 5 10 20 30 50 100 200 300 500 | 0~100Nm: 0~8000 | A | 24V DC | -3.3-3.3V | 0-3.3V |
| | | | B | | 0-1.65-3.3V | |
| | | | C | | -5-5V | 0-5V |
| | | | D | | 0-2.5-5V | |
| | | | E | | -10-10V | 0-10V |
| | | | F | | 0-5V-10V | |
| | | 200~500Nm: 0~6000 | G | 4-12-20mA | 4-20mA | |
| | | | H | 12V DC | -3.3-3.3V | 0-3.3V |
| | | | I | | 0-1.65-3.3V | |
| | | | J | | -5-5V | 0-5V |
| | | | K | | 0-2.5-5V | |
| | | | L | | 4-12-20mA | 4-20mA |

Example: **RTS02A-100-8000-C** means:
Model: RTS02A(With integrated display unit)
Power supply: 24V DC
Torque channel: -100Nm~100Nm VS -5-5V
Speed channel: 0~8000RPM VS 0-5V

| Wiring code | |
|-------------|----------------|
| Red | Power+ |
| Black | Power- |
| Green | Torque output+ |
| White | Torque output- |
| Yellow | Shield |

| Wiring code | |
|-------------|----------------|
| Red | Power+ |
| Black | Power- |
| Green | Torque output+ |
| Yellow | Speed output+ |
| White | Output- |
| Bold Yellow | Shield |

Order example:

Sensor: 1 x **RTS02A-50-6000-E**
Cable: 1 x **RTS02-5M-L**

Email to sales@loadcellsensor.com for a quote

