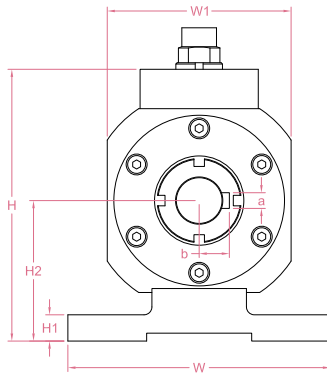
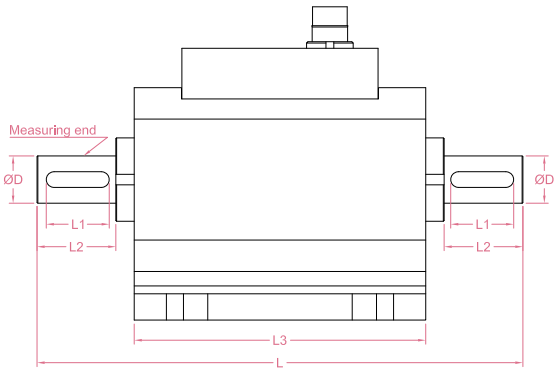
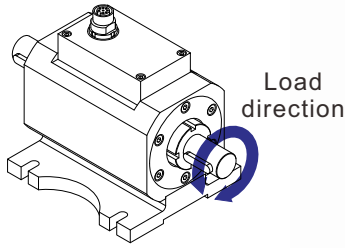
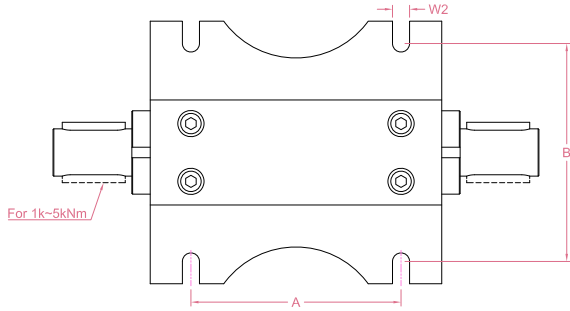




Dimensions in "mm"



| Torque capacity | Speed range | L | H | W | L1 | L2 | L3 | D | H1 | H2 | W1 | W2 | A | B | b*a* No. of keyway |
|----------------------|-------------|-----|-------|-----|----|-----|-----|----|----|-------|-----|-----|-----|-----|-----------------------|
| 5/10/20/30/50/100 Nm | 0~12000RPM | 175 | 103.5 | 100 | 22 | 30 | 111 | 18 | 10 | 53.5 | 70 | 6.5 | 80 | 83 | 11.5*6*2 |
| 200/300/500 Nm | 0~10000RPM | 198 | 118.5 | 114 | 30 | 35 | 114 | 28 | 10 | 61 | 85 | 6.5 | 84 | 97 | 17*8*2 |
| 1k/1.5k/2k Nm | 0-6000RPM | 288 | 161.5 | 175 | 60 | 70 | 134 | 45 | 18 | 89 | 125 | 9 | 94 | 142 | 26*14*4 |
| 3k/5k Nm | 0-4000RPM | 355 | 200.5 | 220 | 93 | 100 | 141 | 75 | 20 | 110.5 | 160 | 11 | 100 | 181 | 42*20*4 |

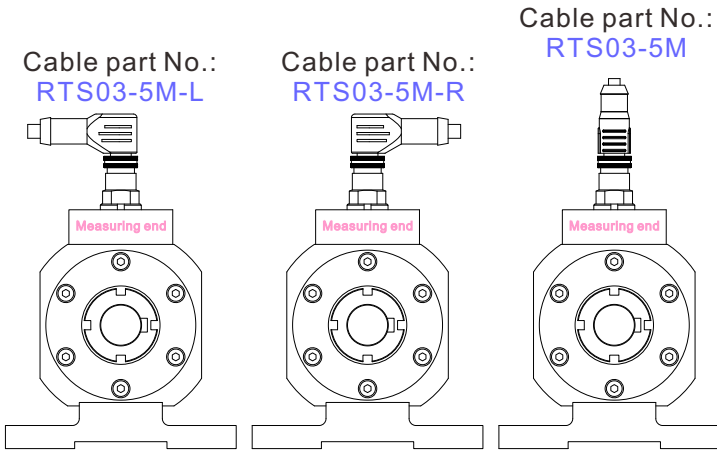
| Specifications | |
|-------------------|---------------------------------|
| Torque Capacity | 5Nm~5kNm (Selectable) |
| Power supply | 12 or 24V DC |
| Rated Output | Refer to ordering part No. |
| Sampling Rate | 500Hz |
| Nonlinearity | ±0.2% F.S. |
| Hysteresis | ±0.2% F.S. |
| Nonrepeatability | ±0.2% F.S. |
| Creep(5min) | ±0.1% F.S. |
| Safe Torque Limit | 150% F.S. |
| Breaking Torque | 200% F.S. |
| Operating Temp. | -10...+60°C |
| IP Rating | IP40 |
| Element Material | Stainless steel |
| Housing Material | Aluminum alloy |
| Cable | Ø6*5000mm with mating connector |

• LCS reserves the right to modify its design and specifications without notice

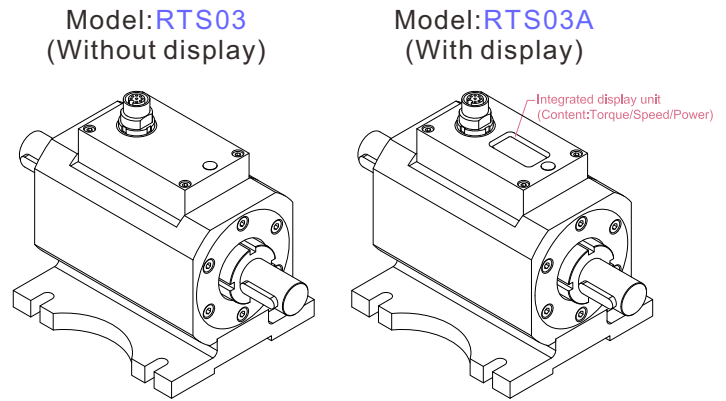




Cable Options



Display Options



Ordering part No.

| Torque Measurement Only | | | | |
|---|---|------|--------------|---------------|
| Ordering part No.: Model - Torque capacity - Code | | | | |
| Model | Torque cap. (Nm) | Code | Power supply | Torque output |
| RTS03 RTS03A | 5 10 20 30 50 100 200 300 500 | A | 24V DC | -3.3-3.3V |
| | | B | | 0-1.65-3.3V |
| | | C | | -5-5V |
| | | D | | 0-2.5-5V |
| | | E | | -10-10V |
| | | F | | 0-5V-10V |
| | 1k 1.5k 2k 3k 5k | H | 12V DC | -3.3-3.3V |
| | | I | | 0-1.65-3.3V |
| | | J | | -5-5V |
| | | K | | 0-2.5-5V |
| | | L | | 4-12-20mA |

Example: **RTS03-100-C** means:
Model: RTS03(Without display unit)
Power supply: 24V DC
Torque channel: -100Nm~100Nm VS -5-5V

| Torque And Speed Measurement | | | | | | | |
|--|---|--|------|--------------|---------------|--------------|--------|
| Ordering part No.: Model - Torque capacity - Speed capacity - Code | | | | | | | |
| Model | Torque cap. (Nm) | Speed cap. (RPM) | Code | Power supply | Torque output | Speed output | |
| RTS03 RTS03A | 5 10 20 30 50 100 200 300 500 | 0~100Nm: 0~12000 200~500Nm: 0~10000 | A | 24V DC | -3.3-3.3V | 0-3.3V | |
| | | | B | | 0-1.65-3.3V | | |
| | | | C | | -5-5V | 0-5V | |
| | | | D | | 0-2.5-5V | | |
| | | | E | | -10-10V | 0-10V | |
| | | | F | | 0-5V-10V | | |
| | 1k 1.5k 2k 3k 5k | 1k~2kNm: 0~6000 3k/5k Nm: 0~4000 | | G | 12V DC | 4-12-20mA | 4-20mA |
| | | | | H | | -3.3-3.3V | 0-3.3V |
| | | | | I | | 0-1.65-3.3V | |
| | | | | J | | -5-5V | 0-5V |
| | | | | K | | 0-2.5-5V | |
| | | | | L | | 4-12-20mA | 4-20mA |

Example: **RTS03A-100-8000-C** means:
Model: RTS03A(With integrated display unit)
Power supply: 24V DC
Torque channel: -100Nm~100Nm VS -5-5V
Speed channel: 0~8000RPM VS 0-5V

| Wiring code | |
|-------------|----------------|
| Red | Power+ |
| Black | Power- |
| Green | Torque output+ |
| White | Torque output- |
| Yellow | Shield |

| Wiring code | |
|-------------|----------------|
| Red | Power+ |
| Black | Power- |
| Green | Torque output+ |
| Yellow | Speed output+ |
| White | Output- |
| Bold Yellow | Shield |

Order example:

Sensor: 1 x **RTS03A-50-6000-E**

Cable: 1 x **RTS03-5M-L**

Email to sales@loadcellsensor.com for a quote

