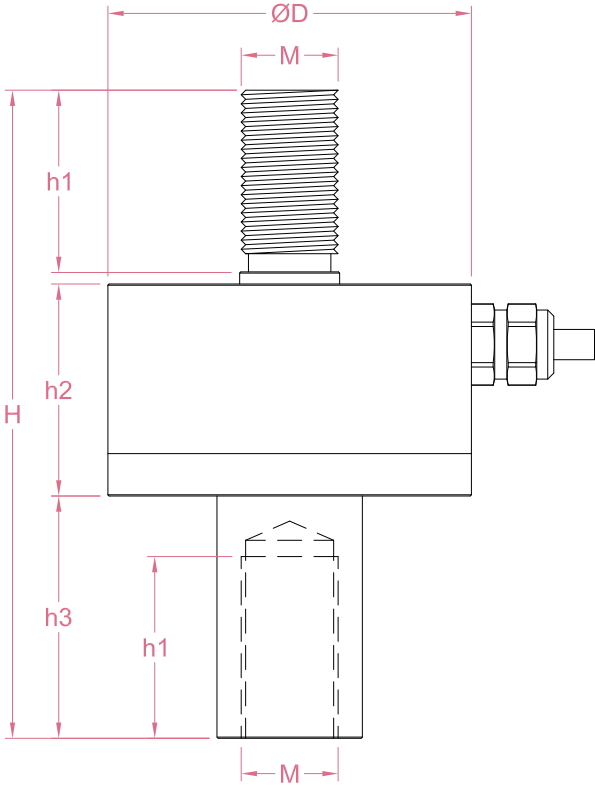




Dimensions in "mm"



Order example:

1 x LCR08 - 5kN - M

Quantity Model Capacity M10
 M12
 M16
 M20

Email to sales@loadcellsensor.com for a quote

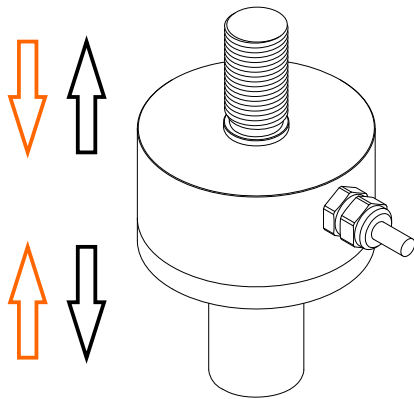
Capacity	D	H	h1	h2	h3	M
0.5/1/2/5kN	48	75	18	32	23	M10*1.25
0.5/1/2/5/10kN	50	82	20	35	25	M12*1.25
1/2/5/10/20kN	60	99	28	35	34	M16*1.5
2/5/10/20/30/50kN	70	120	36	40	42	M20*1.5

Specifications			
Rated Capacity	0.5/1/2/5/10/20/30/50 kN		
Rated Output	1.5 mV/V	Compensated Temp.	0...+40°C
Excitation	3~12V	Operating Temp.	-20...+60°C
Zero Balance	±0.05 mV/V	Temp. Coeff. of Zero	±0.02% F.S./°C
Nonlinearity	±0.5% F.S.	Temp. Coeff. of Span	±0.02% F.S./°C
Hysteresis	±0.5% F.S.	Input Resistance	350/700±50 Ohms
Nonrepeatability	±0.2% F.S.	Output Resistance	350/700±10 Ohms
Creep(5min)	±0.1% F.S.	Insulation Resistance	>2000M Ohms(50V)
Safe Load Limit	150% F.S.	IP Rating	IP66
Breaking Load	200% F.S.	Element Material	Stainless steel
Cable	Ø5*3000mm 4-conductor shielded cable		

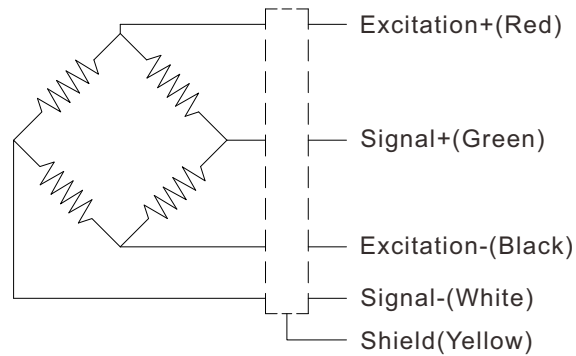
• LCS reserves the right to modify its design and specifications without notice



Load direction



Wiring Code@Compression



Shield is NOT connected to the sensor body

Sensor/Amplifier/Indicator

Items	Power supply	Output/Function
LCR08	3-12V (Constant)	-18mV...+18mV (Depending on the power supply)
LCR08 + Analog amplifier	12~24V DC	0-3.3V,0-5V,0-10V,0-2.5-5V,0-5-10V -3.3-3.3V,-5-5V,-10-10V 0-20mA,4-20mA,4-12-20mA...
LCR08 + Digital amplifier	12~24V DC	RS485 or RS232 output
LCR08 + Indicator	12~24V DC	Display force value Switch output Peak holding RS485/RS232 interface 0-5V/0-10V/4-20mA output

[Email us for datasheet of amplifier and indicator](mailto:sales@loadcellsensor.com)

Customization options

Cable (Length/Specifications/Connectors)
Dimensions and measuring range
Working Temperature (-40°C...+150°C)
IP Rating (Up to IP68)