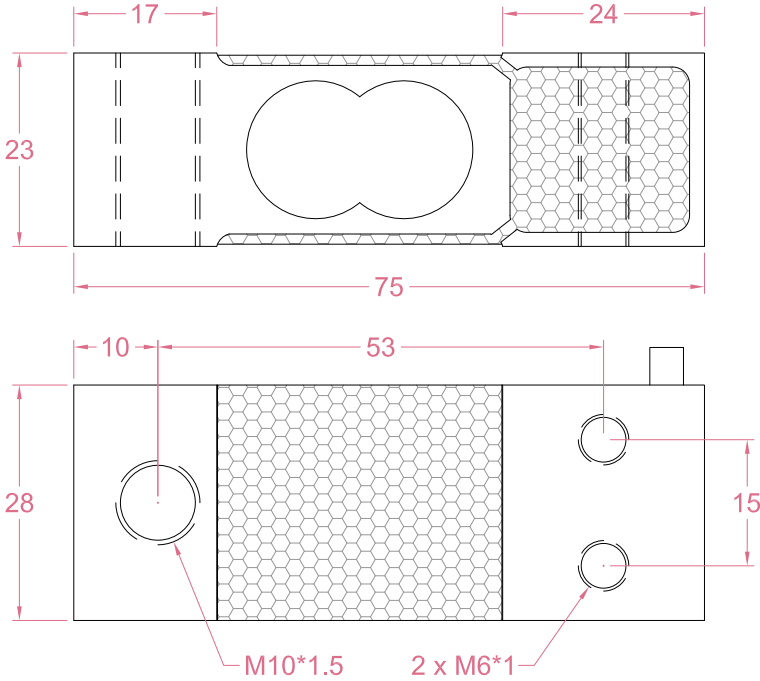
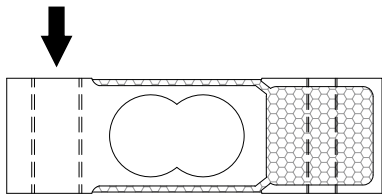




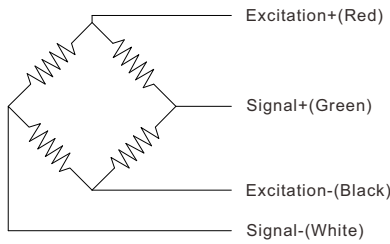
Dimensions in "mm"



Load direction



Wiring Code



Quantity	Price
10pcs	12usd/pc
100pcs	6.2usd/pc
1000pcs	5usd/pc

Order example:

10 x LCE12 - 100kg

Quantity | Model | Capacity  
 Email to [sales@loadcellsensor.com](mailto:sales@loadcellsensor.com) for a quote

Specifications			
Rated Capacity	20/40/60/100/200 kg		
Rated Output	2.0±0.2 mV/V	Compensated Temp.	0...+40°C
Excitation	3~15V	Operating Temp.	-20...+60°C
Zero Balance	±0.1 mV/V	Temp. Coeff. of Zero	±0.005% F.S./°C
Nonlinearity	±0.03% F.S.	Temp. Coeff. of Span	±0.005% F.S./°C
Hysteresis	±0.03% F.S.	Input Resistance	380±30 Ohms
Nonrepeatability	±0.02% F.S.	Output Resistance	352±5 Ohms
Creep(30min)	±0.03% F.S.	Insulation Resistance	>2000M Ohms(50V)
Safe Load Limit	150% F.S.	IP Rating	IP62
Breaking Load	200% F.S.	Element Material	Aluminum alloy
Cable	Ø4*500mm 4-conductor		

• LCS reserves the right to modify its design and specifications without notice

