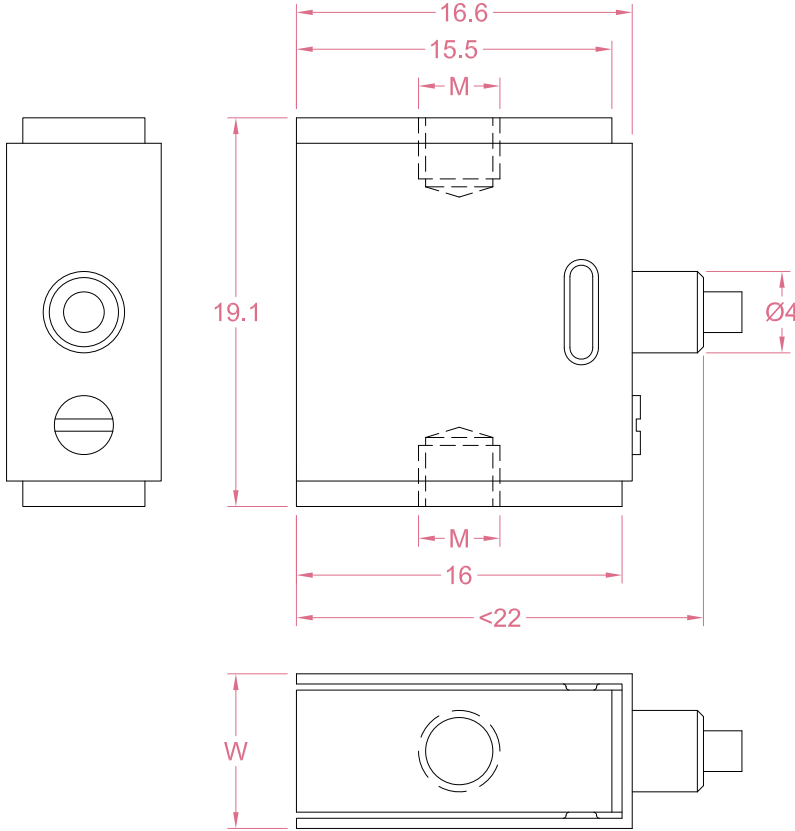




Dimensions in "mm"



Order example:

2 x LCS07 - 50N

Quantity      Model      Capacity

Email to [sales@loadcellsensor.com](mailto:sales@loadcellsensor.com) for a quote

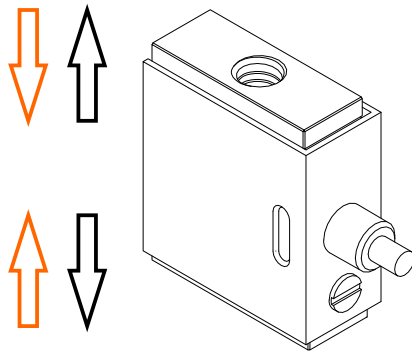
Capacity	W	M
10/20N	6.8	M3*0.5 DP 3
50/100/200/300/500N	7.8	M4*0.7 DP 3

Specifications			
Rated Capacity	10/20/50/100/200/300/500 N		
Rated Output	2.0 mV/V	Compensated Temp.	0...+40°C
Excitation	3~12V	Operating Temp.	-20...+60°C
Zero Balance	±0.1 mV/V	Temp. Coeff. of Zero	±0.02% F.S./°C
Nonlinearity	±0.1% F.S.	Temp. Coeff. of Span	±0.02% F.S./°C
Hysteresis	±0.1% F.S.	Input Resistance	380±30 Ohms
Nonrepeatability	±0.05% F.S.	Output Resistance	352±5 Ohms
Creep(3min)	±0.05% F.S.	Insulation Resistance	>2000M Ohms(50V)
Safe Load Limit	150% F.S.	IP Rating	IP50 (IP65 optional)
Breaking Load	200% F.S.	Element Material	Stainless steel
Cable	Ø2*4000mm 4-conductor shielded cable		

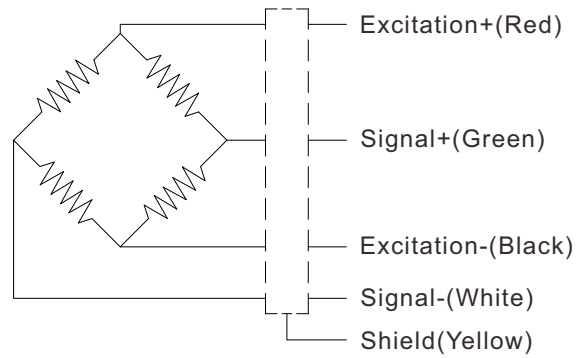
• LCS reserves the right to modify its design and specifications without notice



Load direction



Wiring Code@Compression



Shield is NOT connected to the sensor body

### Sensor/Amplifier/Indicator

Items	Power supply	Output/Function
LCS07	3-12V (Constant)	-24mV...+24mV (Depending on the power supply)
LCS07 + Analog amplifier	12~24V DC	0-3.3V,0-5V,0-10V,0-2.5-5V,0-5-10V -3.3-3.3V,-5-5V,-10-10V 0-20mA,4-20mA,4-12-20mA...
LCS07 + Digital amplifier	12~24V DC	RS485 or RS232 output
LCS07 + Indicator	12~24V DC	Display force value Switch/Relay output Peak holding RS485/RS232 interface 0-5V/0-10V/4-20mA output
<a href="mailto:sales@loadcellsensor.com">Email us for datasheet of amplifier and indicator</a>		