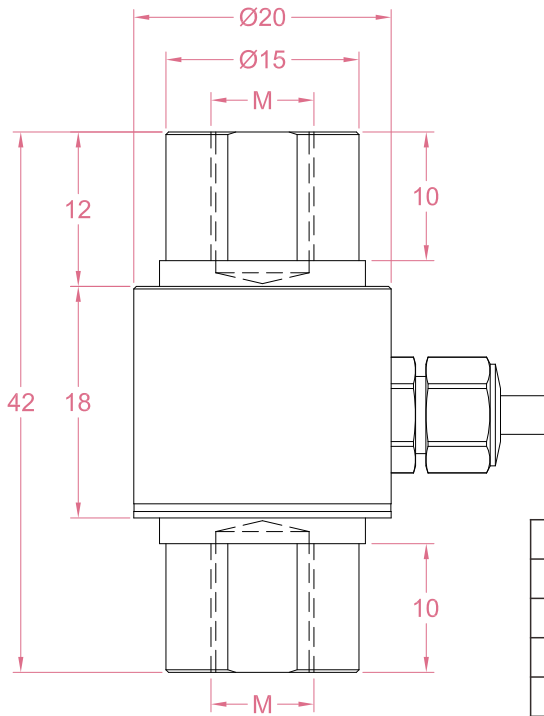
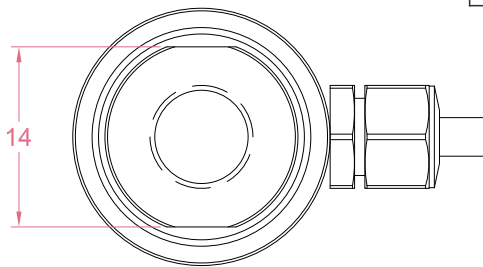




Dimensions in "mm"



Capacity	M
10/20/50kg	M4*0.7 DP 8
10/20/50/100kg	M5*0.8 DP 8
10/20/50/100/200kg	M6*1 DP 10
10/20/50/100/200/500kg	M8*1.25 DP 10
10/20/50/100/200/500/1000kg	M10*1.5 DP10



Order example:

1 x LCR16 - 50kg - M

Quantity Model Capacity M4,M5,M6, M8,M10

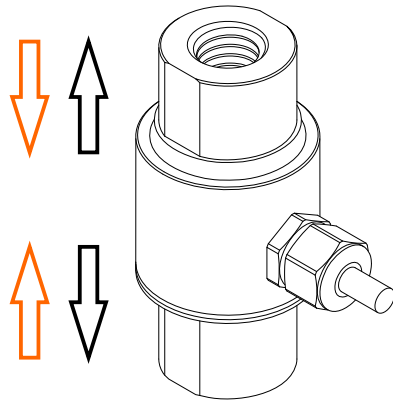
Email to sales@loadcellsensor.com for a quote

Specifications			
Rated Capacity	10/20/50/100/200/500/1000 kg		
Rated Output	1.5 mV/V	Compensated Temp.	0...+40°C
Excitation	3~12V	Operating Temp.	-20...+60°C
Zero Balance	±0.05 mV/V	Temp. Coeff. of Zero	±0.03% F.S./°C
Nonlinearity	±0.1% F.S. ≥500kg:±0.3% F.S.	Temp. Coeff. of Span	±0.03% F.S./°C
Hysteresis	±0.1% F.S. ≥500kg:±0.3% F.S.	Input Resistance	350±50 Ohms
Nonrepeatability	±0.05% F.S. ≥500kg:±0.1% F.S.	Output Resistance	350±10 Ohms
Creep(5min)	±0.05% F.S.	Insulation Resistance	>2000M Ohms(50V)
Safe Load Limit	150% F.S.	IP Rating	IP62
Breaking Load	200% F.S.	Element Material	Stainless steel
Cable	Ø3*2000mm 4-conductor shielded cable		

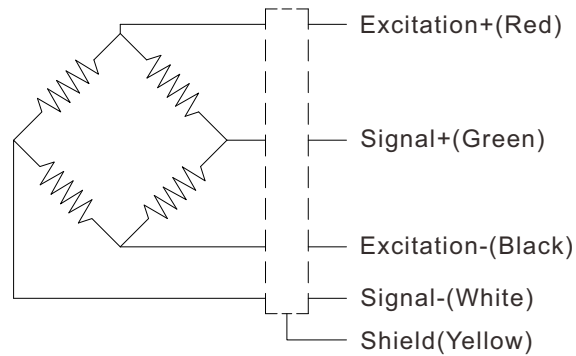
• LCS reserves the right to modify its design and specifications without notice



Load direction



Wiring Code@Compression



Shield is NOT connected to the sensor body

Sensor/Amplifier/Indicator

Items	Power supply	Output/Function
LCR16	3-12V (Constant)	-18mV...+18mV (Depending on the power supply)
LCR16 + Analog amplifier	12~24V DC	0-3.3V,0-5V,0-10V,0-2.5-5V,0-5-10V -3.3-3.3V,-5-5V,-10-10V 0-20mA,4-20mA,4-12-20mA...
LCR16 + Digital amplifier	12~24V DC	RS485 or RS232 output
LCR16 + Indicator	12~24V DC	Display force value Switch output Peak holding RS485/RS232 interface 0-5V/0-10V/4-20mA output

[Email us for datasheet of amplifier and indicator](mailto:sales@loadcellsensor.com)

Customization options

Cable (Length/Specifications/Connectors)
Dimensions and measuring range
Working Temperature (-40°C...+150°C)
IP Rating (Up to IP67)