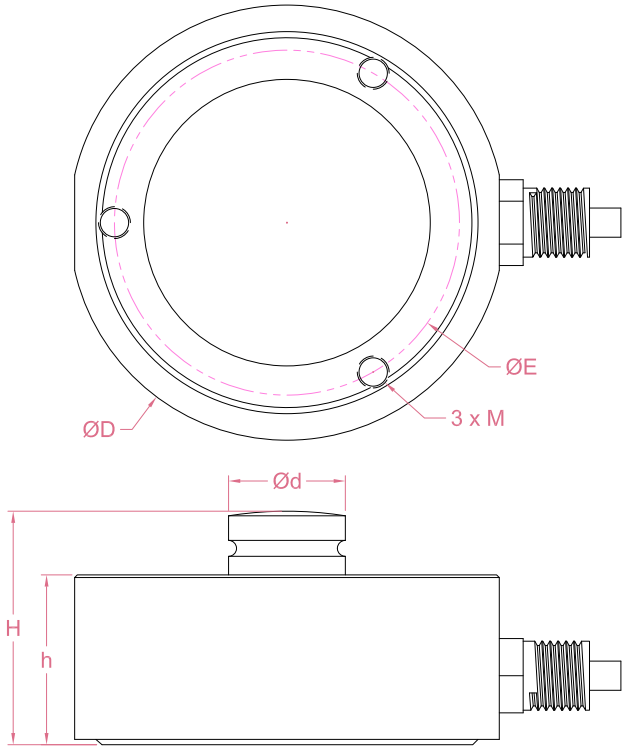




Dimensions in "mm"



Capacity	D	H	h	E	M	d	Price
0.5/1/2.5/5/10 t	82	44	32	65	M6	22	159usd/pc
15/20/30 t	100	48.5	35	80	M8	28	199usd/pc
50 t	126	54	40	96	M8	35	295usd/pc
100 t	165	80	60	125	M10	60	499usd/pc

Order example:

1 x LCB11 - 50t

Quantity Model Capacity

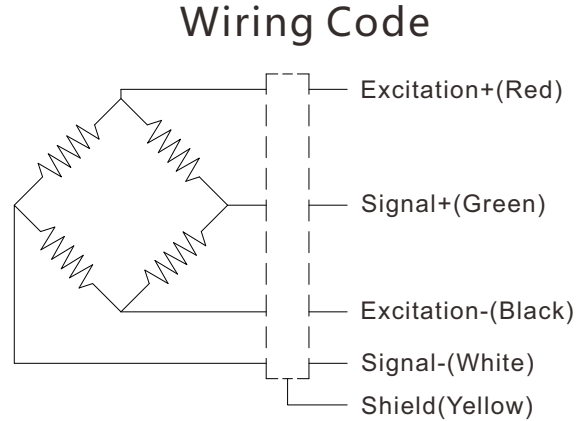
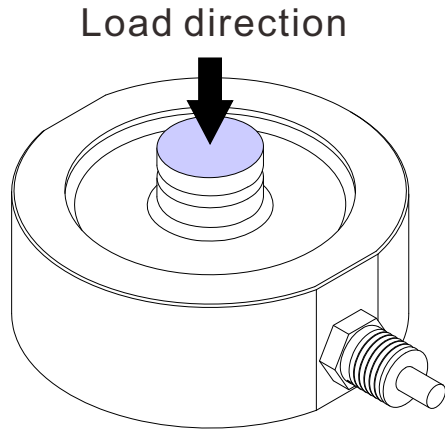
Email to sales@loadcellsensor.com for a quote

Specifications			
Rated Capacity	0.5/1/2.5/5/10/15/20/30/50/100 ton		
Rated Output	2.0 mV/V	Compensated Temp.	0...+40°C
Excitation	3~15V	Operating Temp.	-20...+65°C
Zero Balance	±0.05 mV/V	Temp. Coeff. of Zero	±0.005% F.S./°C
Nonlinearity	0.5~10t: ±0.05% F.S. 15~30t: ±0.1% F.S. 50/100t: ±0.2% F.S.	Temp. Coeff. of Span	±0.005% F.S./°C
Hysteresis	0.5~10t: ±0.05% F.S. 15~30t: ±0.1% F.S. 50/100t: ±0.2% F.S.	Input Resistance	750±100 Ohms
Nonrepeatability	0.5~10t: ±0.03% F.S. 15~30t: ±0.05% F.S. 50/100t: ±0.1% F.S.	Output Resistance	700±10 Ohms
Creep(30min)	±0.05% F.S.	Insulation Resistance	>2000M Ohms(50V)
Safe Load Limit	150% F.S.	IP Rating	IP68
Breaking Load	200% F.S.	Element Material	Stainless steel
Cable	Ø5.6*5000mm 4-conductor shielded cable		

• LCS reserves the right to modify its design and specifications without notice

P:1/2





Shield is connected to the sensor body

Sensor/Amplifier/Indicator

Items	Power supply	Output/Function
LCB11	3-15V (Constant)	0mV...+30mV (Depending on the power supply)
LCB11 + Analog amplifier	12~24V DC	0-3.3V,0-5V,0-10V, 0-20mA,4-20mA...
LCB11 + Digital amplifier	12~24V DC	RS485 or RS232 output
LCB11 + Indicator	12~24V DC	Display force value Switch/Relay output Peak holding RS485/RS232 interface 0-5V/0-10V/4-20mA output

[Email us for datasheet of amplifier and indicator](#)

Customization options

Cable (Length/Specifications/Connectors)
Dimensions and measuring range
Working Temperature (-40°C...+150°C)