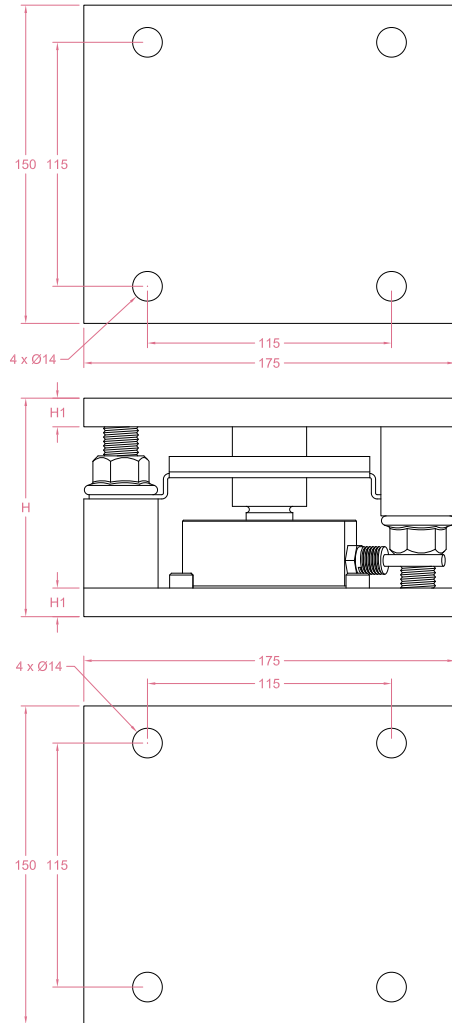




Dimensions in "mm"



Ordering part No.: **Model - Capacity - Code**

Model	Capacity	Code	Material	
			Installation accessories	Load cell
LCW05	0.5~30t	A	Alloy steel	Stainless steel
		S	Stainless steel	

Example: **LCW05-10t-S** means:
Capacity: 10 ton
Material of load cell: Stainless steel
Material of installation accessories: Stainless steel

Capacity	H	H1
0.5/1/2.5/5/10 t	103	13.5
15/20/30 t	114.2	19.1

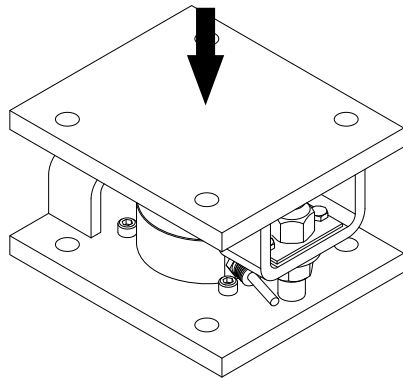
Specifications			
Rated Capacity	0.5/1/2.5/5/10/15/20/30 ton		
Rated Output	2.0 mV/V	Compensated Temp.	0...+40°C
Excitation	3~15V	Operating Temp.	-20...+65°C
Zero Balance	±0.05 mV/V	Temp. Coeff. of Zero	±0.005% F.S./°C
Nonlinearity	0.5~10t: ±0.05% F.S. 15~30t: ±0.1% F.S.	Temp. Coeff. of Span	±0.005% F.S./°C
Hysteresis	0.5~10t: ±0.05% F.S. 15~30t: ±0.1% F.S.	Input Resistance	750±100 Ohms
Nonrepeatability	0.5~10t: ±0.03% F.S. 15~30t: ±0.05% F.S.	Output Resistance	700±10 Ohms
Creep(30min)	±0.05% F.S.	Insulation Resistance	>2000M Ohms(50V)
Safe Load Limit	150% F.S.	IP Rating	IP68
Breaking Load	200% F.S.	Element Material	Refer to ordering part No.
Cable	Ø5.6*5000mm 4-conductor shielded cable		

• LCS reserves the right to modify its design and specifications without notice

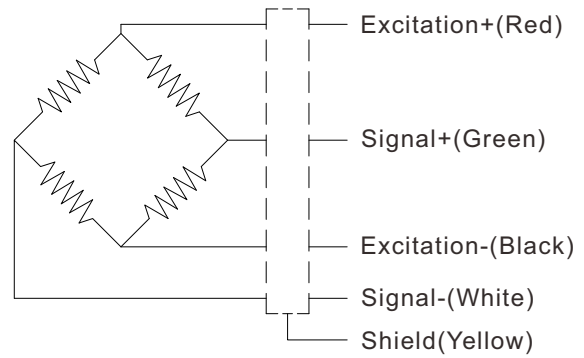




Load direction



Wiring Code



Shield is connected to the sensor body

